

# FRP Proportioner

3A2012N  
EN

**Low emission internal/external mix gel coat and chop proportioners. For use with resin and catalyst in hazardous and non-hazardous locations.  
For professional use only.**



**Important Safety Instructions**

Read all warnings and instructions in this manual and all component manuals. Save all instructions.

See page 4 for model and agency approvals information. See page 85 for maximum working pressure and other specifications. For patent information, see [www.graco.com/patents](http://www.graco.com/patents).

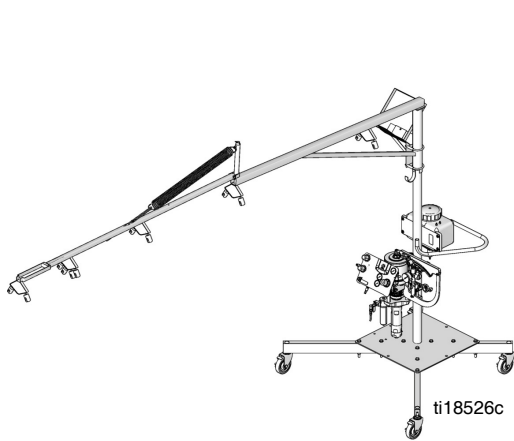
## **WARNING**



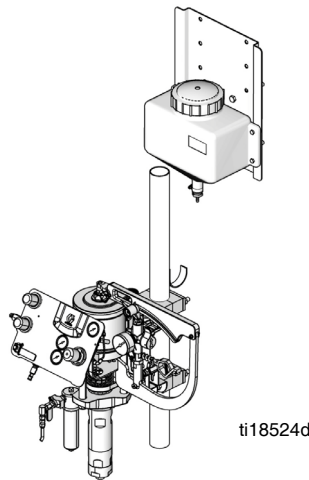
**FIRE AND EXPLOSION HAZARD**

Oil left in the system at the factory can react with catalyst and create a fire or explosion.

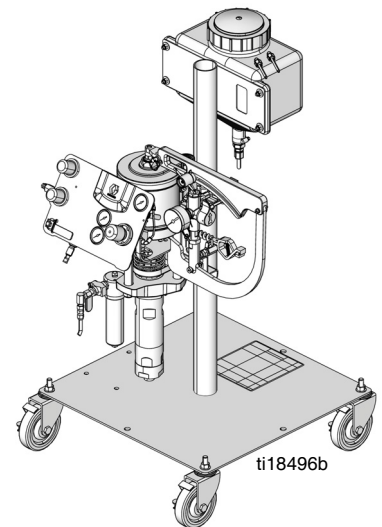
- Flush before first use.
- Do not add catalyst to the catalyst reservoir until the system has been flushed.



*Cart and Boom System*



*Wall Mount System*



*Cart System*



II 2 Gc T5

# Contents

<b>Related Manuals</b> .....	<b>3</b>	<b>Repair</b> .....	<b>42</b>
<b>Agency Approvals</b> .....	<b>3</b>	General Information .....	42
<b>Models</b> .....	<b>4</b>	Disconnect the Displacement Pump .....	42
<b>Accessories</b> .....	<b>5</b>	Reconnect the Displacement Pump .....	43
<b>Warnings</b> .....	<b>6</b>	Disconnect the Air Motor .....	44
<b>Important Methyl Ethyl Ketone Peroxide (MEKP)</b>		Reconnect the Air Motor .....	44
<b>Safety Information</b> .....	<b>8</b>	Replace Pumpline .....	46
<b>Important Two-Component Material Information</b> .	<b>9</b>	Repair Catalyst Pump .....	47
Material Self-ignition .....	9	<b>System Parts</b> .....	<b>50</b>
Keep Resin and Catalyst Components Separate	9	Systems .....	50
Changing Materials .....	9	Carts .....	56
<b>Overview</b> .....	<b>10</b>	Wall or Pole Mount Kit, 16N918 .....	58
<b>Component Identification</b> .....	<b>11</b>	Boom, 16N761 .....	59
Air Control Panel .....	12	Air Panel .....	60
Air Motor and Resin Displacement Pump .....	13	Slave Pump Linkage, 16P125 .....	61
Catalyst Pump .....	14	Resin Pumphines .....	62
Solvent Flush Systems .....	15	Air Motor and Pump for	
<b>Setup</b> .....	<b>16</b>	Resin Pumpline .....	64
Before Installation .....	16	Gun .....	64
Location Requirements .....	16	Resin Filter .....	65
System Mounting (Wall Mount Systems Only) .	16	Resin Supply Hose .....	66
System Assembly .....	18	Catalyst Slave Pumps .....	68
Grounding .....	20	Catalyst Reservoir .....	70
Connect Fluid and Air Lines .....	21	Hose Bundles .....	71
Flush Before First Use .....	23	Hose Bundles .....	73
Fill Supply Tanks .....	23	Accessory Parts .....	74
<b>Operation</b> .....	<b>24</b>	Heater Kits .....	74
Trigger Lock .....	24	Solvent Pressure Pot Kits .....	76
Boom Operation .....	24	Solvent Diaphragm Pumps .....	78
Pressure Relief Procedure and Shutdown .....	24	DataTrak Upgrade Kit .....	79
Startup .....	26	Carts for 55 Gallon Barrel, 16M896 .....	80
Prime .....	27	Roving Box Bracket .....	81
Flush .....	30	Extension Hoses .....	82
Spray .....	31	<b>Dimensions</b> .....	<b>83</b>
DataTrak Operation .....	33	Cart and Boom .....	83
Replace DataTrak Battery or Fuse .....	38	Cart Only .....	84
<b>Maintenance</b> .....	<b>39</b>	Wall/Pole Mount .....	84
Components .....	39	Pumpline Wall Mounting Bracket Dimensions .	85
<b>Troubleshooting</b> .....	<b>40</b>	<b>Technical Data</b> .....	<b>85</b>
Catalyst Pump .....	40	<b>Graco Standard Warranty</b> .....	<b>88</b>
Resin Pump .....	40		




## Related Manuals



Manuals are available at [www.graco.com](http://www.graco.com). Component manuals in English:

Manual	Description
3A0232	RS™ Gun Instructions-Parts
3A2313	U-Cup Displacement Pump
312792	Merkur Displacement Pump
3A2315	NXT® Air Motor for FRP
332451	FRP Stainless Steel Fitting Kit
308981	Air Operated Diaphragm Pumps
309524	Viscon HP Heater Instructions
307363	Viscon® Heater Instructions
313541	DataTrak™ Conversion Kit Instructions
308370	ASME and CE-Approved Pressure Pot Instructions (Solvent Flush Pressure Pot)
307273	Fluid Outlet Filter
407019	Chop Cart Legs Kit
407020	55 Gallon Drum Kit
407021	Roving Box Bracket Kit
407022	Deluxe Inlet Seat Removal Tool

Manual	Description
407023	5 Gallon Catalyst Reservoir Kit
407024	Boom Kit
407025	DataTrak™ Upgrade Kit
407026	Wall or Pole Mount Kit
407027	Linkage Replacement Kit
407028	Resin Pump Connecting Kit
407031	Diaphragm Pump Solvent Flush Kit
407032	Non-CE Approved Solvent Pressure Pot Kits
407033	ASME and CE-Approved Pressure Pot Kits
407042	Heater Kits

## Agency Approvals

						
FRP proportioner systems are approved for use in hazardous locations when the base model, all accessories, all kits, and all wiring meet local, state, and national codes.						

<b>Base FRP System with no accessories*</b>	  II 2 Gc T5
<b>Accessories</b>	See accessory manuals listed in <b>Related Manuals</b> section for approvals.

\* Solvent pots do not affect ATEX rating.




★ CE and or EX approved.

# Models

Ratio	Internal or External Mix	Gel or Chop	No Cart		Cart		Cart, Mast, and Boom	
			Part No.	Hose Length ft (m)	Part No.	Hose Length ft (m)	Part No.	Hose Length ft (m)
13:1	Internal Mix	Gel	16R065★	25 (7.6)	16R002★	25 (7.6)	16R053★	25 (7.6)
			16R068★	35 (10.7)	16R044★	35 (10.7)	16R056★	35 (10.7)
			16R071★	50 (15.2)	16R047★	50 (15.2)	16R059★	50 (15.2)
			16R074★	---	16R050★	---	16R062★	---
		Chop	16R135★	25 (7.6)	16R123★	25 (7.6)	16R004★	25 (7.6)
			16R138★	35 (10.7)	16R114★	35 (10.7)	16R126★	35 (10.7)
			16R141★	50 (15.2)	16R117★	50 (15.2)	16R129★	50 (15.2)
			16R144★	---	16R120★	---	16R132★	---
		High Flow Chop	24W435★	25 (7.6)	24W432★	25 (7.6)	24W438★	25 (7.6)
			24W436★	35 (10.7)	24W433★	35 (10.7)	24W439★	35 (10.7)
			24W437★	50 (15.2)	24W434★	50 (15.2)	24W440★	50 (15.2)
		External Mix	Gel	16R030★	25 (7.6)	16R001★	25 (7.6)	16R018★
	16R033★			35 (10.7)	16R009★	35 (10.7)	16R021★	35 (10.7)
	16R036★			50 (15.2)	16R012★	50 (15.2)	16R024★	50 (15.2)
	16R039★			---	16R015★	---	16R027★	---
	Chop		16R100★	25 (7.6)	16R088★	25 (7.6)	16R003★	25 (7.6)
16R103★			35 (10.7)	16R079★	35 (10.7)	16R091★	35 (10.7)	
16R106★			50 (15.2)	16R082★	50 (15.2)	16R094★	50 (15.2)	
16R109★			---	16R085★	---	16R097★	---	
17:1	Internal Mix	Gel	16R205★	25 (7.6)	16R006★	25 (7.6)	16R193★	25 (7.6)
			16R208★	35 (10.7)	16R184★	35 (10.7)	16R196★	35 (10.7)
			16R211★	50 (15.2)	16R187★	50 (15.2)	16R199★	50 (15.2)
			16R214★	---	16R190★	---	16R202★	---
	External Mix	Gel	16R170★	25 (7.6)	16R005★	25 (7.6)	16R158★	25 (7.6)
			16R173★	35 (10.7)	16R149★	35 (10.7)	16R161★	35 (10.7)
			16R176★	50 (15.2)	16R152★	50 (15.2)	16R164★	50 (15.2)
			16R179★	---	16R155★	---	16R167★	---
9:1	Internal Mix	Chop	16R300	25 (7.6)	16R301	25 (7.6)	16R302	25 (7.6)
			16R303	35 (10.7)	16R304	35 (10.7)	16R305	35 (10.7)
			16R306	50 (15.2)	16R307	50 (15.2)	16R308	50 (15.2)
			16R309	---	16R310	---	16R311	---



## Accessories

						
To avoid fire and explosion and electric shock, FRP proportioners are not approved for use in hazardous locations unless all accessories, all kits, and all wiring meet local, state, and national codes. See <b>Agency Approvals</b> on page 3.						





The following items can be purchased separately from the system to gain additional functions. Many of the items require user installation; refer to the **System Assembly** section beginning on page 18 for the required procedures.









Solvent Flush Diaphragm Pumps	
Part	Description
16M560	2 Gallon Solvent Flush Diaphragm Pump
16M561	5 Gallon Solvent Flush Diaphragm Pump
Solvent Flush Pressure Pots	
Part	Description
16M874	2 Gallon, ASME and CE-approved, Solvent Flush Pressure Pot
16M875	5 Gallon, ASME and CE-approved, Solvent Flush Pressure Pot
16M893	2 Gallon, ASME Solvent Flush Pressure Pot
16M894	5 Gallon, ASME Solvent Flush Pressure Pot
Heaters	
Part	Description
16N014★	120V Viscon Heater, for hazardous locations
16N015★	240V Viscon Heater, for hazardous locations
16N016	120V Viscon Heater, for hazardous locations and explosive atmospheres
16N017	240V Viscon Heater, for hazardous locations and explosive atmospheres
16N018	120V Viscon Heater, for non-hazardous locations
16N019	240V Viscon Heater, for non-hazardous locations
★	<i>Heaters can be disassembled to remove cured material.</i>

Extension Hoses	
Part	Description
16M712	25 ft Extension Hose Bundle for Chop Systems
16M718	25 ft Extension Hose Bundle for Internal Gel Systems
16M719	25 ft Extension Hose Bundle for External Gel Systems
55 Gallon Barrel Carts	
Part	Description
16M896	55 Gallon Barrel Cart
Roving Box Bracket	
Part	Description
16M961	Roving Box Bracket Kit
DataTrak Upgrade	
Part	Description
16M881	DataTrak Upgrade Kit
5 Gallon Catalyst Reservoir	
Part	Description
24M501	5 Gallon Catalyst Reservoir Kit
Wall Mounting	
Part	Description
16N918	FRP Pole or Wall Mount Kit
Pump Connecting Kits	
Part	Description
16N242	17:1 Pump Connecting Kit
16N243	13:1 Pump Connecting Kit

# Warnings

The following warnings are for the setup, use, grounding, maintenance, and repair of this equipment. The exclamation point symbol alerts you to a general warning and the hazard symbols refer to procedure-specific risks. When these symbols appear in the body of this manual, refer back to these Warnings. Product-specific hazard symbols and warnings not covered in this section may appear throughout the body of this manual where applicable.






 <b>WARNING</b>	
	<p><b>FIRE AND EXPLOSION HAZARD</b></p> <p>Flammable fumes, such as solvent and paint fumes, in <b>work area</b> can ignite or explode. To help prevent fire and explosion:</p> <ul style="list-style-type: none"> <li>• Use equipment only in well ventilated area.</li> <li>• Eliminate all ignition sources; such as pilot lights, cigarettes, portable electric lamps, and plastic drop cloths (potential static arc).</li> <li>• Keep work area free of debris, including solvent, rags and gasoline.</li> <li>• Do not plug or unplug power cords, or turn power or light switches on or off when flammable fumes are present.</li> <li>• Ground all equipment in the work area. See <b>Grounding</b> instructions.</li> <li>• Use only grounded hoses.</li> <li>• Hold gun firmly to side of grounded pail when triggering into pail.</li> <li>• If there is static sparking or you feel a shock, <b>stop operation immediately</b>. Do not use equipment until you identify and correct the problem.</li> <li>• Keep a working fire extinguisher in the work area.</li> </ul>
	<p><b>SKIN INJECTION HAZARD</b></p> <p>High-pressure fluid from dispensing device, hose leaks, or ruptured components will pierce skin. This may look like just a cut, but it is a serious injury that can result in amputation. <b>Get immediate surgical treatment.</b></p> <ul style="list-style-type: none"> <li>• Engage trigger lock when not dispensing.</li> <li>• Do not point dispensing device at anyone or at any part of the body.</li> <li>• Do not put your hand over the fluid outlet.</li> <li>• Do not stop or deflect leaks with your hand, body, glove, or rag.</li> <li>• Follow the <b>Pressure Relief Procedure</b> when you stop dispensing and before cleaning, checking, or servicing equipment.</li> <li>• Tighten all fluid connections before operating the equipment.</li> <li>• Check hoses and couplings daily. Replace worn or damaged parts immediately.</li> </ul>
	<p><b>ELECTRIC SHOCK HAZARD</b></p> <p>This equipment must be grounded. Improper grounding, setup, or usage of the system can cause electric shock.</p> <ul style="list-style-type: none"> <li>• Turn off and disconnect power at main switch before disconnecting any cables and before servicing equipment.</li> <li>• Connect only to grounded power source.</li> <li>• All electrical wiring must be done by a qualified electrician and comply with all local codes and regulations.</li> </ul>

 <h1 style="margin: 0;">WARNING</h1>	
	<p><b>TOXIC FLUID OR FUMES HAZARD</b></p> <p>Toxic fluids or fumes can cause serious injury or death if splashed in the eyes or on skin, inhaled, or swallowed.</p> <ul style="list-style-type: none"> <li>• Read MSDSs to know the specific hazards of the fluids you are using.</li> <li>• Store hazardous fluid in approved containers, and dispose of it according to applicable guidelines.</li> </ul>
	<p><b>PERSONAL PROTECTIVE EQUIPMENT</b></p> <p>You must wear appropriate protective equipment when operating, servicing, or when in the operating area of the equipment to help protect you from serious injury, including eye injury, hearing loss, inhalation of toxic fumes, and burns. This equipment includes but is not limited to:</p> <ul style="list-style-type: none"> <li>• Protective eyewear, and hearing protection.</li> <li>• Respirators, protective clothing, and gloves as recommended by the fluid and solvent manufacturer.</li> </ul>
 	<p><b>MOVING PARTS HAZARD</b></p> <p>Moving parts can pinch, cut or amputate fingers and other body parts.</p> <ul style="list-style-type: none"> <li>• Keep clear of moving parts.</li> <li>• Do not operate equipment with protective guards or covers removed.</li> <li>• Pressurized equipment can start without warning. Before checking, moving, or servicing equipment, follow the <b>Pressure Relief Procedure</b> and disconnect all power sources.</li> </ul>
 	<p><b>EQUIPMENT MISUSE HAZARD</b></p> <p>Misuse can cause death or serious injury.</p> <ul style="list-style-type: none"> <li>• Do not operate the unit when fatigued or under the influence of drugs or alcohol.</li> <li>• Do not exceed the maximum working pressure or temperature rating of the lowest rated system component. See <b>Technical Data</b> in all equipment manuals.</li> <li>• Use fluids and solvents that are compatible with equipment wetted parts. See <b>Technical Data</b> in all equipment manuals. Read fluid and solvent manufacturer's warnings. For complete information about your material, request MSDS from distributor or retailer.</li> <li>• Do not leave the work area while equipment is energized or under pressure. Turn off all equipment and follow the <b>Pressure Relief Procedure</b> when equipment is not in use.</li> <li>• Check equipment daily. Repair or replace worn or damaged parts immediately with genuine manufacturer's replacement parts only.</li> <li>• Do not alter or modify equipment. Alterations or modifications may void agency approvals and create safety hazards.</li> <li>• Use equipment only for its intended purpose. Call your distributor for information.</li> <li>• Route hoses and cables away from traffic areas, sharp edges, moving parts, and hot surfaces.</li> <li>• Do not kink or over bend hoses or use hoses to pull equipment.</li> <li>• Keep children and animals away from work area.</li> <li>• Comply with all applicable safety regulations.</li> </ul>
	<p><b>BURN HAZARD</b></p> <p>Equipment surfaces and fluid that's heated can become very hot during operation. To avoid severe burns:</p> <ul style="list-style-type: none"> <li>• Do not touch hot fluid or equipment.</li> </ul>







# Important Methyl Ethyl Ketone Peroxide (MEKP) Safety Information

MEKP is among the more hazardous materials found in commercial channels. Proper handling of the “unstable (reactive)” chemicals presents a serious challenge to the plastics industry. The highly reactive property which makes MEKP valuable to the plastics industry in producing the curing reaction of polyester resins and gel-coats also produces the hazards which require great care and caution in its storage, transportation, handling, processing and disposal.

Workers must be thoroughly informed of the hazards that may result from improper handling of MEKP, especially in regard to contamination and heat. They must be thoroughly instructed regarding the proper storage, use and disposal of MEKP and other hazardous materials used in the laminating operation.

														
<p>MEKP is flammable and potentially explosive, as well as potentially damaging to the eyes and skin.</p> <p>Read material manufacturer’s warnings and material MSDS to know specific hazards and precautions related to MEKP.</p> <p>Contaminated MEKP can become explosive. Prevent contamination of MEKP with other materials, including but not limited to polyester overspray, polymerization accelerators and promoters, and non-stainless metals. Even small amounts of contaminants can make MEKP explosive. This reaction may start slowly, and gradually build-up heat, which can accelerate until fire or an explosion result. This process can take from seconds to days.</p> <p>Heat applied to MEKP, or heat build-up from contamination reactions can cause it to reach what is called its Self-Accelerating Decomposition Temperature (SADT), which can cause fire or explosion. Spills should be promptly removed, so no residues remain. Spillage can heat up to the point of self-ignition. Dispose in accordance with manufacture’s recommendation.</p> <p>Store MEKP in a cool, dry and well-ventilated area in the original containers away from direct sunlight and away from other chemicals. It is strongly recommended that the storage temperature remain below 86° F (30° C). Heat will increase the potential for explosive decomposition. Refer to NFPA 432. Keep MEKP away from heat, sparks and open flames.</p> <p>Current catalysts are premixed and do not require any diluents. Graco strongly recommends that diluents not be used. Diluents add to the possibility of contaminants entering the catalyst system. Never dilute MEKP with acetone or any solvent since this can produce an extremely shock-sensitive compound which can explode.</p> <p>Use only original equipment or equivalent parts from Graco in the catalyst system (i.e.: hoses, fittings, etc.) because a hazardous chemical reaction may result between substituted parts and MEKP.</p> <p>To prevent contact with MEKP, appropriate personal protective equipment, including chemically impermeable gloves, boots, aprons and goggles are required for everyone in the work area.</p>														

### Polyester Resins and Gel-Coats






						
---	---	---	---	---	---	--

Spraying materials containing polyester resin and gel-coats creates potentially harmful mist, vapors and atomized particulates. Prevent inhalation by providing sufficient ventilation and the use of respirators in the work area.

Read the material manufacturer’s warnings and material MSDSs to know specific hazards and precautions related to polyester resins and gel-coats.

To prevent contact with polyester resins and gel-coats, appropriate personal protective equipment, including chemically impermeable gloves, boots, aprons and goggles are required for everyone in the work area.

### Spraying and Lamination Operations

						
---	--	---	---	---	--	--



Remove all accumulations of overspray, FRP sandings, etc. from the building as they occur. If this waste is allowed to build up, spillage of catalyst is more likely to start a fire.

If cleaning solvents are required, read material manufacturer’s warnings and material MSDS to know specific hazards and precautions. (Graco recommends that clean-up solvents be nonflammable.)

Graco recommends that you consult OSHA Sections 1910.94, 1910.106, 1910.107 and NFPA No. 33, and NFPA No. 91 for further guidance.

## Important Two-Component Material Information

### Material Self-ignition




						
---	---	--	--	--	--	--

Some materials may become self-igniting if applied too thickly. Read material manufacturer’s warnings and material MSDS.

### Changing Materials

- When changing materials, flush the equipment multiple times to ensure it is thoroughly clean.
- Always clean the fluid inlet strainers after flushing.
- Check with your material manufacturer for chemical compatibility.

### Keep Resin and Catalyst Components Separate

						
---	---	---	--	--	--	--




Cross-contamination can result in cured material in fluid lines which could cause serious injury or damage equipment. To prevent cross-contamination of the equipment’s wetted parts, **never** interchange catalyst (usually MEKP) and resin (usually polyester resin or gel-coat) parts.

# Overview

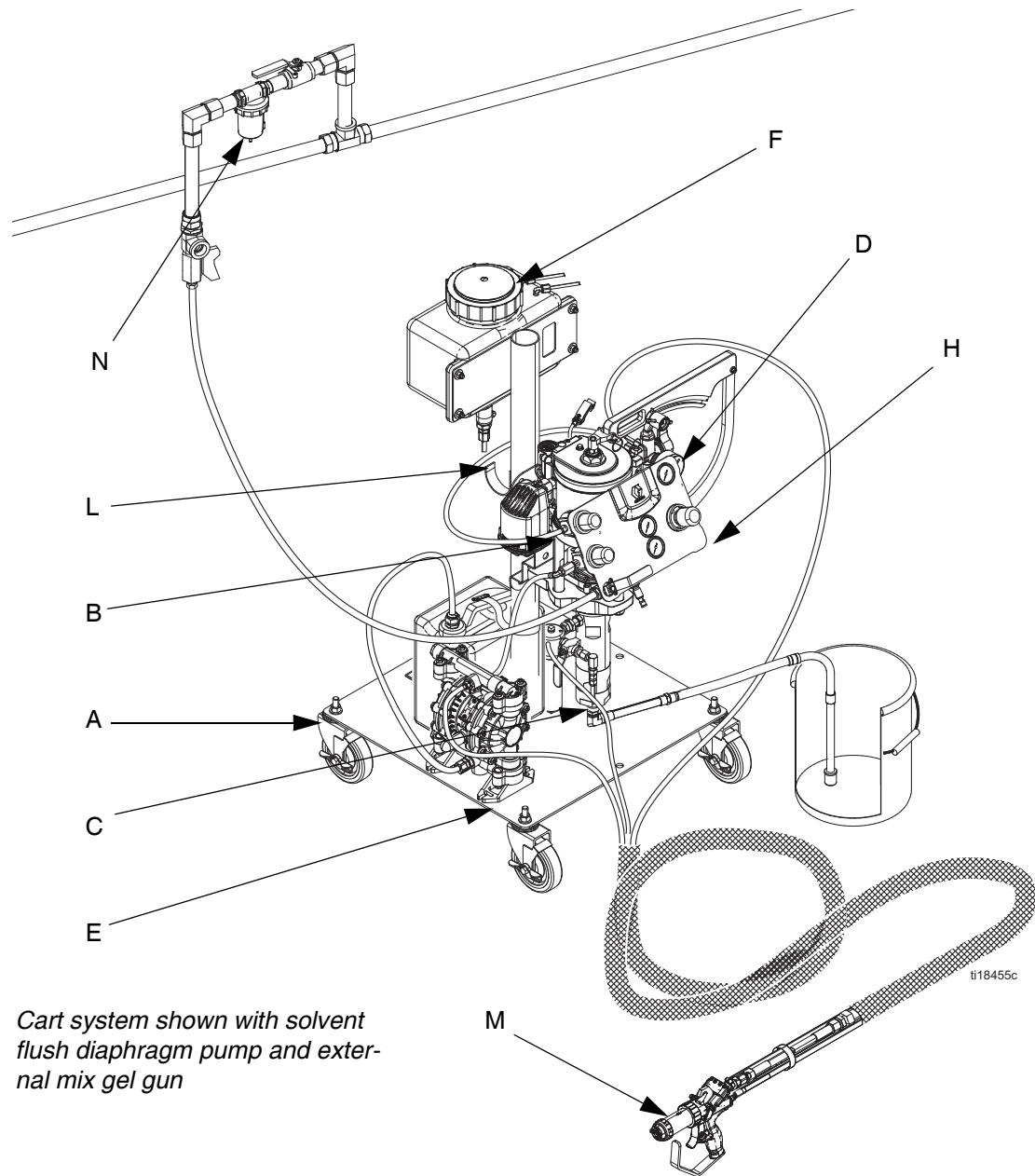
The FRP proportioner dispenses pigmented, tooling, low-VOC, and specialty gel coats, as well as polyester resin and vinyl ester chemicals. The FRP proportioner supplies the individual catalyst and resin materials, and fiberglass roving to the gun. On internal mix systems, it also supplies solvent to the gun for clearing mixed material from the gun.

## Typical Applications

- Marine and watercraft
- Pool and spa
- Bath ware
- Transportation
- Corrosion prevention
- Cultured marble

						
FRP proportioner systems are approved for use in hazardous locations when the base model, all accessories, all kits, and all wiring meet local, state, and national codes.						

# Component Identification



*Cart system shown with solvent flush diaphragm pump and external mix gel gun*

**Key:**

- |   |  |   |   |
|---|--|---|---|
| A | Cart   | H | Air Control Panel   |
| B | Air Motor  | J | Heater (not shown)  |
| C | Resin Displacement Pump  | K | Grounding Wire (not shown)  |
| D | Catalyst Pump  | L | Hook support for resin hose coil<br>(25 ft and 35 ft hose bundles only) |
| E | Solvent Flush (Diaphragm Pump Option Shown,<br>Pressure Pot Options also available)* | M | Spray gun   |
| F | Catalyst Reservoir   | N | Air/Water Separator (customer supplied)                                 |
| G | Boom (not shown)   |   |   |

*\* Internal mix systems only.*

## Air Control Panel

**Air inlet (AA):** from air line.

**Air regulator 1 (AB):** controls air to resin pump.

**Air outlet 1 (AC):** air line to resin pump.

**Air pressure gauge 1 (AD):** indicates air pressure to resin pump.

**Air regulator 2 (AE):** for external mix guns only: controls catalyst atomization air. For internal mix guns only: controls solvent flush pressure.

**Air outlet 2 (AF):** for external mix guns only: catalyst air line to spray gun. For internal mix guns only: to solvent pump.

**Air pressure gauge 2 (AG):** indicates regulator 2 air pressure.

**Air regulator 3 (AH):** controls Air Assist Containment™ (AAC™) air to spray gun.

**Air pressure gauge 3 (AK):** indicates AAC air pressure.

**Air outlet 3 (AM):** AAC air line to spray gun.

**Air outlet 4 (AN):** Chop air supply to spray gun. This outlet is plugged at the factory. Plug must be removed to install chop air.

**Air Shutoff valve (AP):** shuts off air to entire system.

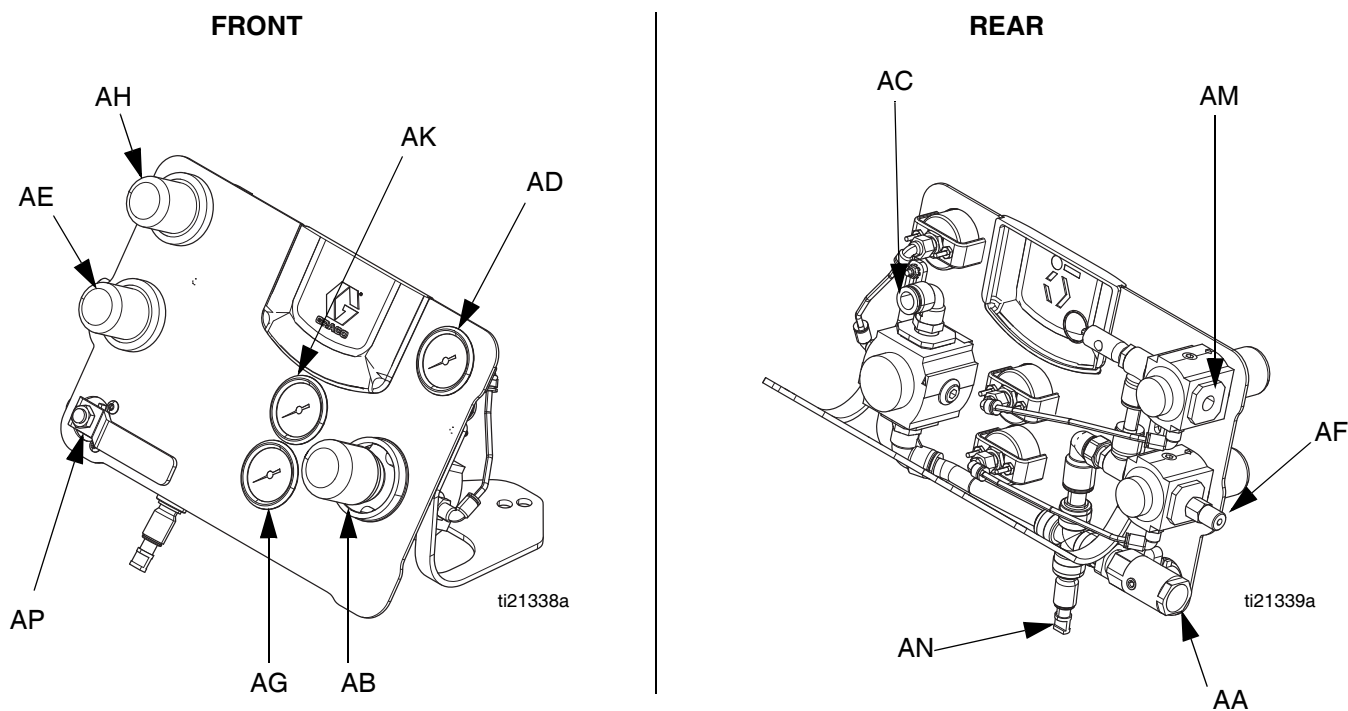


Fig. 1: Air Control Panel Components

Air Outlet Fitting Details	Internal Chop	External Chop	Internal Gel	External Gel
Air Outlet 2 (AF)	3/8 tube	1/4 tube	3/8 tube	1/4 tube
Air Outlet 3 (AM)	1/4 tube	1/8 npt	3/8 tube	1/8 npt
Air Outlet 4 (AN)★	1/2 tube	1/2 tube	Plugged	Plugged

★ Includes a 1/2 to 3/8 reducer to adapt to older chop hose bundles



## Air Motor and Resin Displacement Pump

The air motor powers the resin displacement pump which supplies resin to the spray gun.

**Air inlet (M):** connect air hose to the air inlet.

**Fluid filter (N):** removes particles from the fluid.

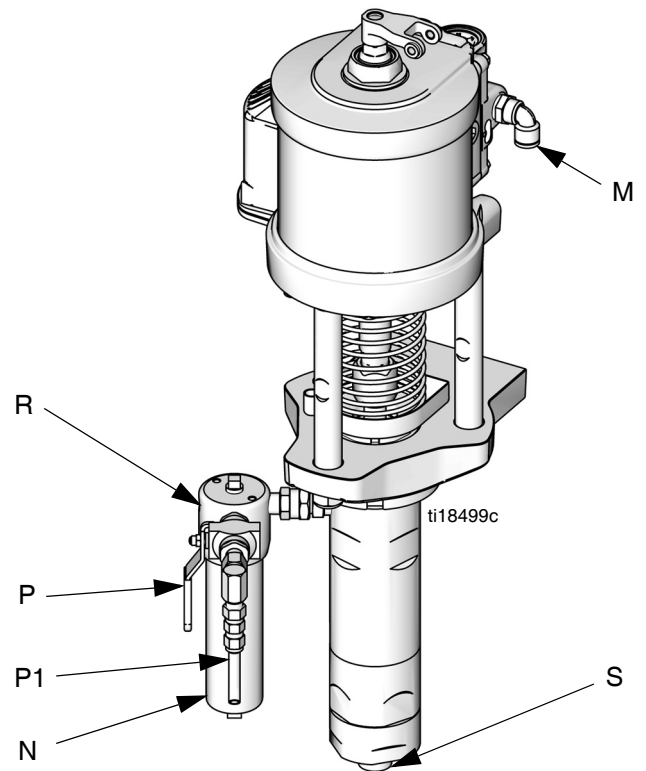
**Pressure relief/recirculation valve (P):** relieves pressure in the hose and gun.

**Pressure relief/recirculation fluid outlet (P1):** place container below fluid outlet or connect fluid hose and route back to the resin container, or install container below the outlet

**Pressurized fluid outlet on filter (R):** connect fluid hose to the 1/4 npt(f) fluid outlet reducer fitting supplied with Graco hoses.

**Fluid inlet (S):** connect fluid suction hose to the 3/4 npt(m) fluid inlet.

**DataTrak (T) (optional):** electronic monitoring for material tracking, system diagnostics, and pump runaway control. The DataTrak is located on the air control panel. See the NXT Air Motor manual for details of the DataTrak controls and indicators.



**FIG. 2**

## Catalyst Pump

The catalyst pump supplies catalyst to the spray gun.

**Pump arm (U):** controls catalyst flow.

**Ratio adjustment knob (V1):** use to lock/unlock pump position and adjust the resin to catalyst ratio. It is easiest to adjust the ratio when the pump is at the bottom of the stroke.

**Pivot point (V2):** when pump is moved to adjust ratio, this point stays stationary.

**High pressure relief valve (W):** directs catalyst to gun or back to tank to relieve pressure. It also automatically relieves pressure if it exceeds normal working pressure.

**Fluid pressure gauge (X):** indicates catalyst fluid pressure.

**Fluid inlet (Y):** fluid inlet from the catalyst reservoir.

**Fluid Inlet Ball Valve (Y2):** controls flow of catalyst to the catalyst pump.

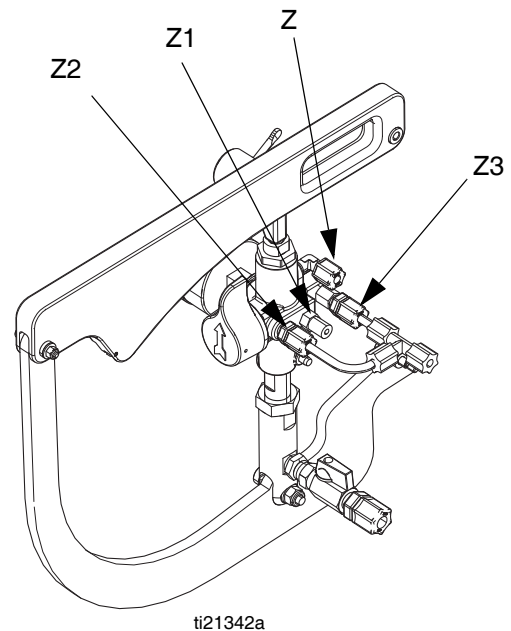
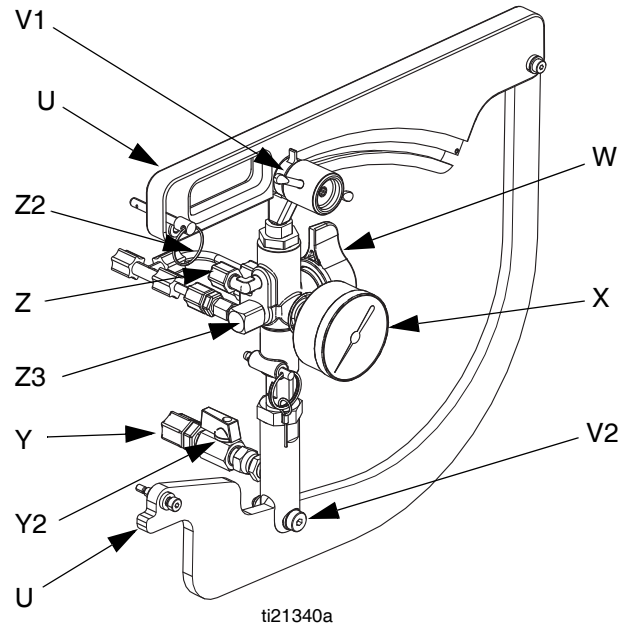
**Weep line (Z):** In the event of a throat seal failure, the fluid will flow into the weep line and back to the catalyst reservoir.

**Fluid outlet (Z1):** fluid out to the gun.

**Fluid recirculation/high pressure relief (Z2):** fluid outlet to the catalyst reservoir.

**Low pressure relief valve (Z3):** External mix systems only. Directs catalyst to gun or back to tank to relieve pressure.

**NOTE:** For Wall Mount Units, the nuts and Ferrules for the compression fitting have been removed, bagged, and attached to the slave pump for shipping.

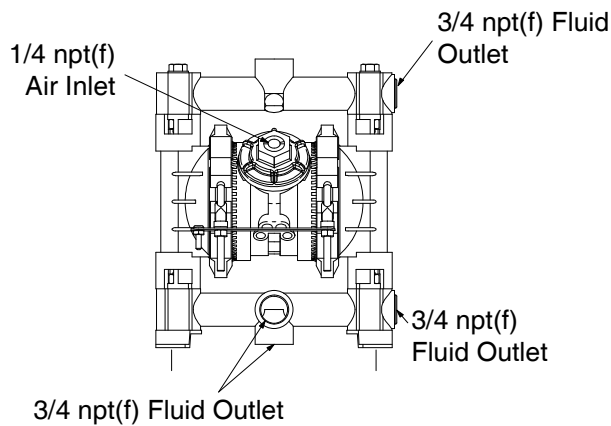


**FIG. 3: Catalyst Pump Components**

# Solvent Flush Systems

## Solvent Flush Diaphragm Pump

The solvent flush diaphragm pump provides solvent to the gun to clear out mixed fluid and prevent it from curing in the gun. See the diaphragm pump manual listed on page 3 for detailed component identification.

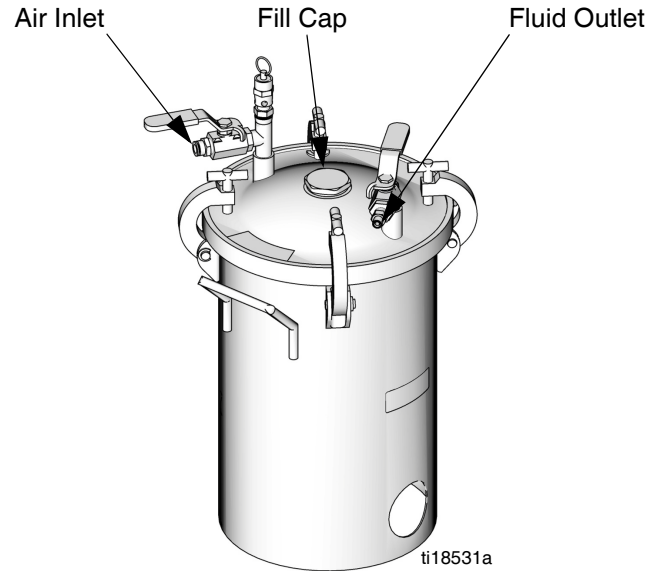


ti9078a1

**FIG. 4: Solvent Pump Components**

## Solvent Flush ASME and CE-Approved Pressure Pot

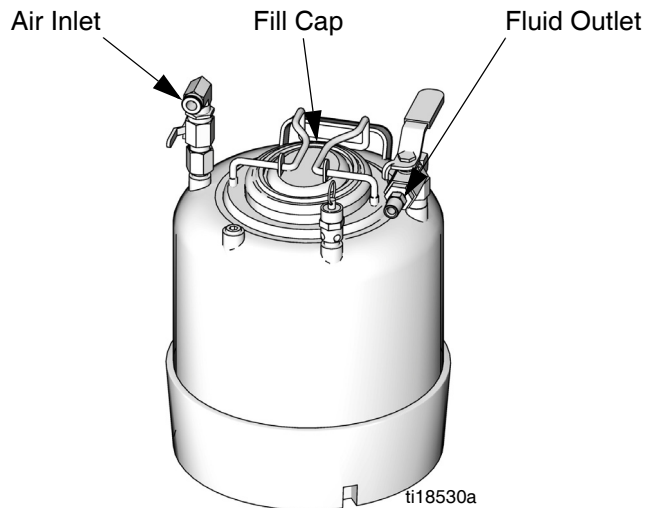
The pressure pot works by using the incoming air pressure to expel the solvent in the pot out of the fluid outlet. See the ASME and CE-approved Pressure Pot manual listed on page 3 for detailed component identification.



ti18531a




## Solvent Flush ASME Pressure Pot

The pressure pot works by using the incoming air pressure to expel the solvent in the pot out of the fluid outlet. Verify supply tube is installed on fluid outlet port.



ti18530a

# Setup

						
To avoid fire and explosion and electric shock, FRP proportioners are not approved for use in hazardous locations unless all accessories, all kits, and all wiring meet local, state, and national codes. See <b>Agency Approvals</b> on page 3.						

FRP proportioners are not approved for use in hazardous locations unless all accessories, all kits, and all wiring meet local, state, and national codes. See **Agency Approvals** on page 3.

This section provides instructions for basic system setup of the FRP proportioner. See the separate component manuals for detailed information.

## Before Installation

- Have all system and component documentation available during installation.
- See component manuals for specific data on component requirements. Data presented here applies to the FRP assemblies only.
- Be sure all accessories are adequately sized and pressure-rated to meet system requirements. Accessories are available from Graco.

Component identification illustrations are only a guide for selecting and installing system components and accessories. Contact your Graco distributor for assistance in designing a system to suit your particular needs.

## Location Requirements




Refer to **Dimensions**, page 83, for mounting and clearance dimensions.

### Cart Mount Systems

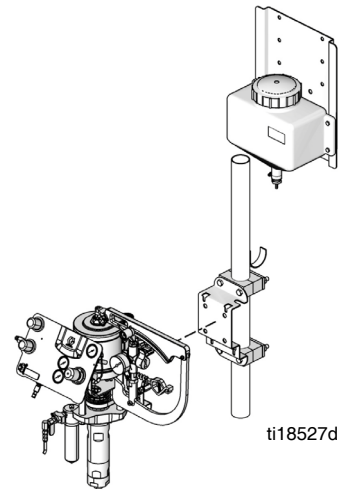
- Position the FRP proportioner so the air controls and catalyst ratio adjustment arm are easily accessible.

- If using a cart and boom system, ensure there is enough space overhead and surrounding the proportioner for the boom and mast to fully extend.
- Place on a flat and level surface.

## System Mounting (Wall Mount Systems Only)

						
To reduce the risk of skin injection injury, make sure the system is depressurized before mounting any pump assembly. See the <b>Pressure Relief Procedure and Shutdown</b> on page 24.						

For ease of operation and service, make sure the pump air inlet, fluid inlet, and fluid outlet ports are easily accessible. Mount the catalyst reservoir above the catalyst pump to enable gravity feed. Be sure the bracket is level.



### NOTICE

To prevent damage to the system caused by the system falling off the wall, be sure the wall can support the weight of the pump, bracket, hoses and accessories, and stress caused during pump operation.

1. For systems using pole mount:
  - a. Insert pole clamp bolts through catalyst reservoir mounting plate then each of the two upper pole clamps, then install and tighten nuts to secure mounting plate and clamps in place.

**NOTE:** Catalyst reservoir outlet must be above the catalyst pump inlet fitting for true gravity feeding.

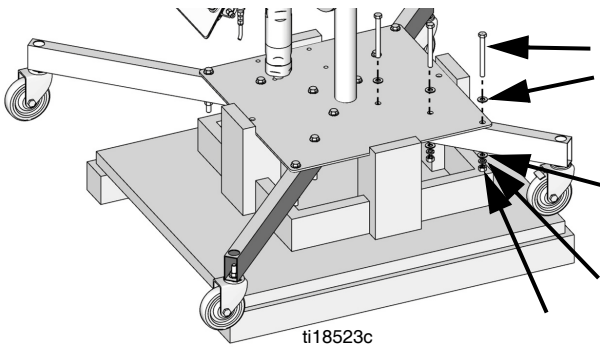
- b. Insert pole clamp bolts through pumpline mounting plate then each of the two lower pole clamps, then install and tighten nuts to secure mounting plate and clamps in place.
  - c. Use four bolts and washers to secure catalyst reservoir to catalyst reservoir mounting plate.
  - d. Use four bolts and washers to secure pumpline to pumpline mounting bracket.
2. *For systems bolting directly to wall (not using a pole):*
  - a. Use four bolts, washers, and nuts to install catalyst reservoir mounting bracket to wall.
  - b. Use four bolts, washers, and nuts to install catalyst reservoir onto the catalyst reservoir mounting bracket.
  - c. Use four bolts, washers, and nuts to secure pumpline mounting bracket to wall.
  - d. Use four bolts, washers, and nuts to secure pumpline to pumpline mounting bracket.

## System Assembly

When the system is shipped from the factory some items may be shipped loose. Perform the following instructions to properly install each of the component items.

1. For cart and boom systems only, install legs:

- a. With the system still on the pallet, use the supplied hardware to install the legs onto the base as shown below. The two longer legs should be installed on the air control panel side of the machine. The two non-locking casters should be installed on the two longer legs.



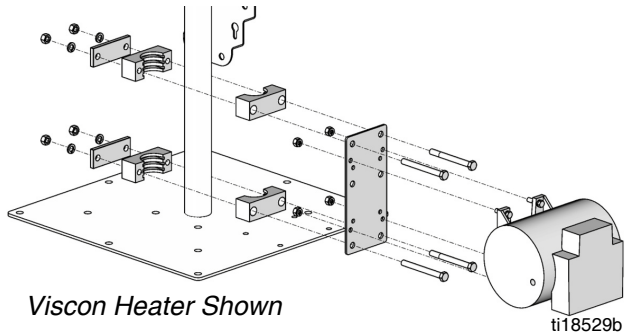
- b. Use a forklift to raise the system off of the pallet, remove the pallet, then place item directly on the floor.

2. Connect heater (if ordered):



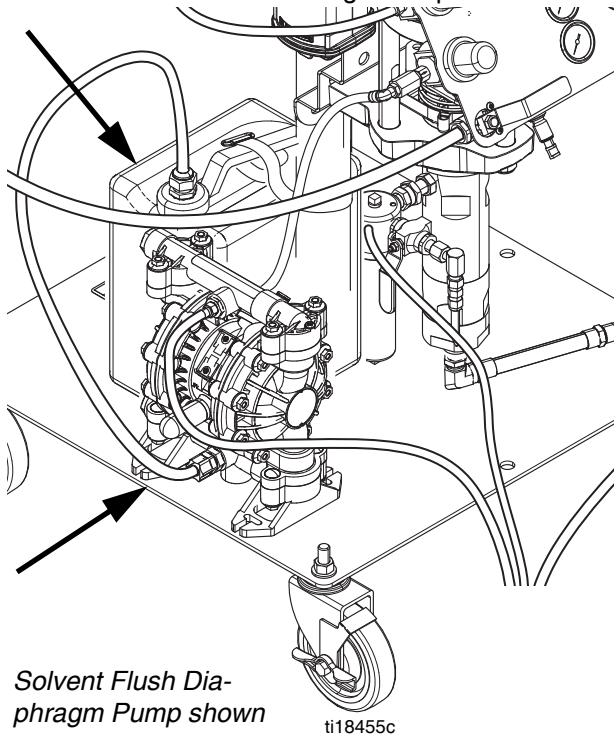
- Improperly installed or connected equipment may create a hazardous condition that can cause fire, explosion, or electric shock.
- Refer to heater manual listed on page 3 for detailed instructions and warnings.
- You must have a qualified electrician connect heater wiring. Ensure wiring and installation comply with local electrical codes for hazardous areas.
- Wiring, wiring connections, switches, and electrical distribution panel must all meet flame-proof (explosion-proof) requirements.

- a. Use supplied hardware to install heater onto pole as shown below. Position the heater to ease hose routing between pump and heater. See Heater Kits manual for bolt hole patterns.

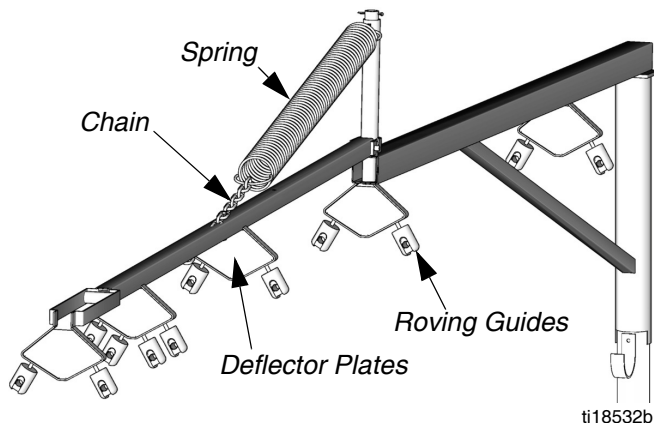


- b. Connect heater electrical connections. See heater manual listed on page 3 for detailed instructions.

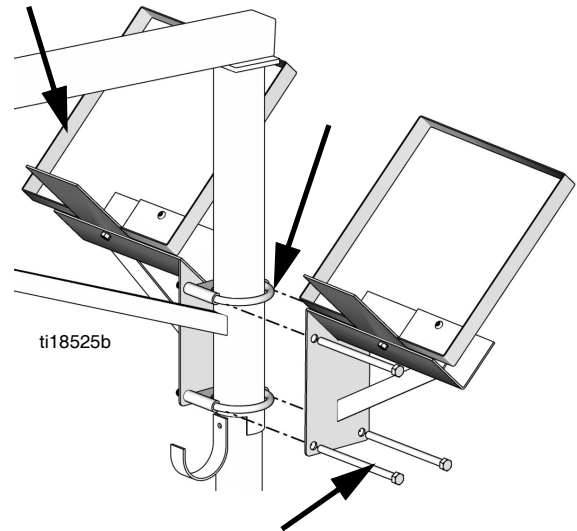
3. Install solvent flush diaphragm pump or pressure pot (if ordered).
  - a. Use the supplied hardware to install the diaphragm pump or pressure pot onto the base of the cart in the mounting holes provided.





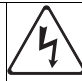
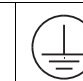
- b. Use supplied hardware to install solvent supply tank onto the base of the cart.
4. Install DataTrak Upgrade Kit (if ordered). Follow the detailed instructions in DataTrak manual listed on page 3.
5. Assemble the boom as shown below then slide the boom onto the system pole (if ordered).



6. Use the supplied hardware to install the roving box bracket onto the pole. Install the top pole clamp above the lower arm of the boom as shown below (if ordered). If there is a second roving box, use long hex screws as shown below to secure mounting plate of second roving box to the mounting plate of the first roving box.



## Grounding

						
<p>The equipment must be grounded to reduce the risk of static sparking and electric shock. Electric or static sparking can cause fumes to ignite or explode. Improper grounding can cause electric shock. Grounding provides an escape wire for the electric current</p>						

### General Grounding Guidelines

**Pump:** use ground wire and clamp (supplied). Connect ground clamp to a true earth ground.

**Air and fluid hoses:** use only electrically conductive hoses.

**Spray gun:** ground through connection to a properly grounded fluid hose and pump.

**Fluid supply container:** follow local code.

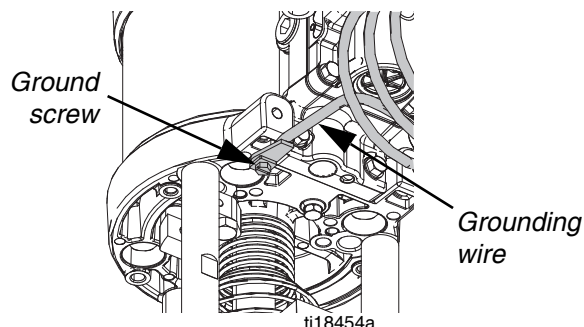
**Object being sprayed:** follow local code.

**Solvent pails used when flushing:** follow local code. Use only conductive metal pails, placed on a grounded surface. Do not place the pail on a nonconductive surface, such as paper or cardboard, which interrupts grounding continuity.

### FRP Proportioner Grounding

**NOTE:** All proportioners come with one grounding clamp to ground the proportioner to a true earth ground. All accessories for internal mix systems come with a second grounding clamp to ground the solvent flush system to the cart.

1. Verify that the ground screw is attached and tightened securely to the air motor. Connect the other end of the ground wire to a true earth ground.



**FIG. 5: Ground Wire**

2. *For internal mix systems only, ground the solvent flush system.*
  - a. For solvent flush diaphragm pumps only, connect one end of the second grounding clamp to the solvent pump grounding strip. See the diaphragm pump manual listed on page 3 for grounding details.
  - b. Connect the other end of the grounding clamp to the cart.
3. Use an ohmmeter to verify all components are grounded to the earth ground.
4. If wall power is used to power the heater, ground electrical connection according to local codes.
5. *For cart proportioners:* Connect the other end of the second supplied grounding clamp to the cart.  
*For wall proportioners:* Connect the other end of the second supplied grounding clamp to a true earth ground.



## Connect Fluid and Air Lines

<p>Oil left in the system at the factory can react with catalyst and create a fire or explosion.</p> <ul style="list-style-type: none"> <li>• Flush before first use.</li> <li>• Do not add catalyst to the catalyst reservoir until the system has been flushed.</li> </ul>						

**NOTE:** When connecting gun hose bundle, the whip end connections in the bundle should be connected to the gun and the non-whip end connections should be connected to the proportioner. The whip end of the bundle is the end with more flexible lines. See gun manual for hose bundle connection details and individual hose identification.

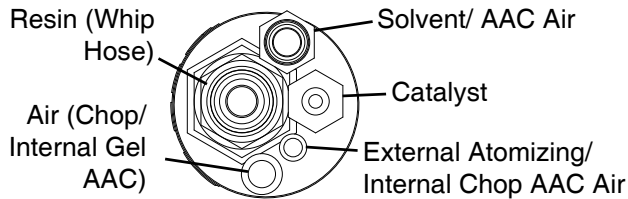


FIG. 6: Hose End Diagram

## Air Connections

1. Verify air line from air outlet 1 (AC) on air control panel is connected to air inlet (M) on air motor. See FIG. 2 on page 13 and FIG. 7.
2. Connect AAC air line from gun hose bundle to air outlet 3 (AM) on air control panel. See gun manual for AAC air line identification.
3. *External mix proportioners only:* Connect the supplied air tubing attached to air outlet 2 (AF) to atomized air line on gun.  
*Internal mix proportioners only:* Connect the supplied air tubing attached to air outlet 2 (AF) to solvent pump air inlet. See FIG. 4 on page 15.
4. *Chop systems only:* Remove plug then connect the chop air line (0.375 in. tube) in the gun hose bundle to the chop air fitting (AN) on the air control panel.
5. Verify air shutoff valve (AP) is closed (handle is vertical) then connect the air supply line to the air inlet (AA) on the air control panel.

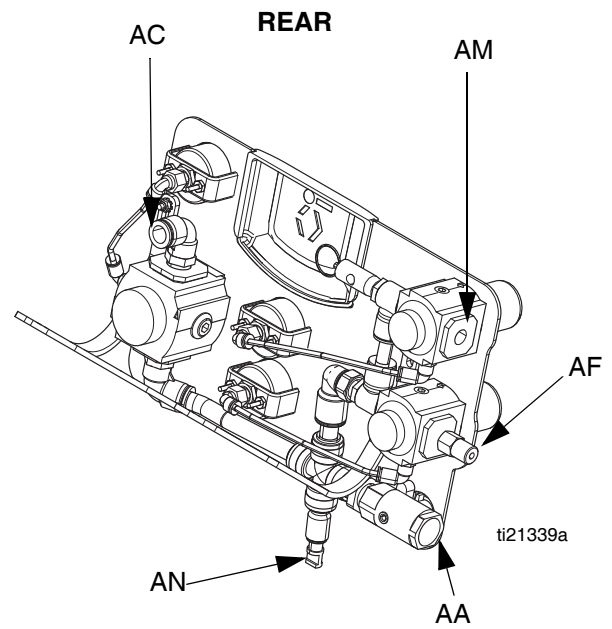
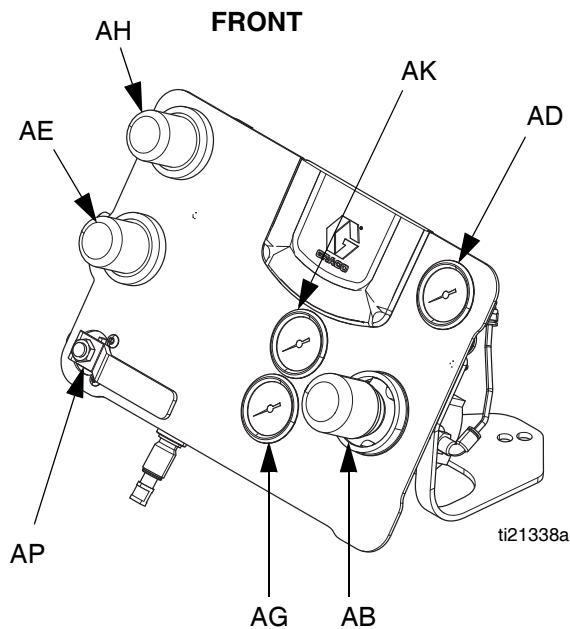
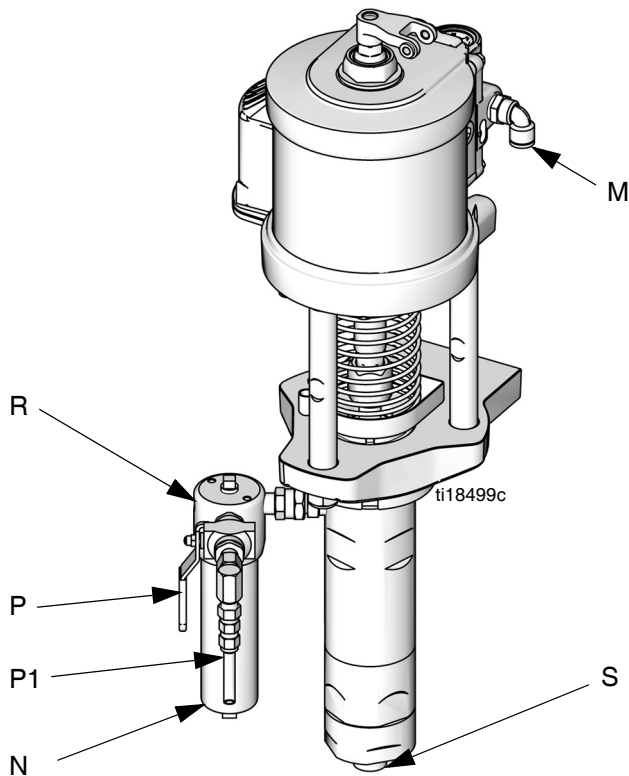


FIG. 7: Air Control Panel Components

Air Outlet Fitting Details	Internal Chop	External Chop	Internal Gel	External Gel
Air Outlet 2 (AF)	3/8 tube	1/4 tube	3/8 tube	1/4 tube
Air Outlet 3 (AM)	1/4 tube	1/8 npt	3/8 tube	1/8 npt
Air Outlet 4 (AN)★	1/2 tube	1/2 tube	Plugged	Plugged

★ Includes a 1/2 to 3/8 reducer to adapt to older chop hose bundles.

### Resin Pump and Optional Heater Connections



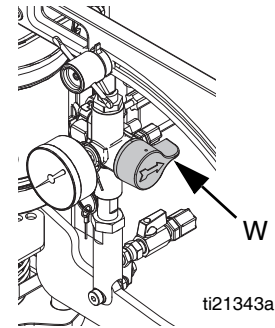
**FIG. 8**

6. Verify the pressure relief/recirculation valve (P) is set to pressure relief.
7. Place a waste container below the fluid outlet then remove the pump fluid inlet cap. Drain the test oil then discard.
8. Connect resin suction hose to the resin pump 3/4 nptm fluid inlet (S). Place other end of suction hose in resin container.
9. *For non-heated systems only:* Connect resin hose from the gun hose bundle to the resin pump 1/4 nptf fluid outlet (R). Reducer fitting comes with Graco hose bundle.  
*For heated systems only:* attach resin hose from the gun hose bundle to the heater outlet. Verify fluid hose connecting resin pump outlet to heater inlet is installed and secure.
10. Connect resin recirculation hose to the pressure relief/recirculation line (P1) and route to the resin container.

### Catalyst Pump Fluid Connections

**NOTE:** See FIG. 3 on page 14.

11. Verify the pressure relief/recirculation valve (W) is set to pressure relief (knob is horizontal).



**FIG. 9: Catalyst Pump Pressure Relief Valve**

12. Connect the catalyst line from the gun hose bundle to the catalyst outlet (Z1).

### Solvent Flush Connections (if applicable)



**NOTE:** See **Solvent Flush Systems** component identification on page 15 for connection locations.

13. Connect solvent air line from air control panel to diaphragm pump or pressure pot air inlet.
14. Connect solvent suction tube from solvent supply tank to solvent pump fluid inlet.
15. Connect solvent line from gun hose bundle to solvent fluid outlet.

### Gun Connections

16. *For 25 ft and 35 ft hose bundles only:* Place the coil of resin hose in the hose bundle on the hook support located on the pole. Secure with the supplied rubber straps. The hook support should be inserted through the center of the hose coil.
17. Secure all connections on the whip-end of the hose bundle to the gun. See the gun manual listed on page 3 for detailed instructions.

## Flush Before First Use

						
<p>Oil left in the system at the factory can react with catalyst and create a fire or explosion.</p> <ul style="list-style-type: none"> <li>• Flush before first use.</li> <li>• Do not add catalyst to the catalyst reservoir until the system has been flushed.</li> </ul>						

Flush the system before first use to prevent contaminating the resin or catalyst. See page 30.

## Fill Supply Tanks

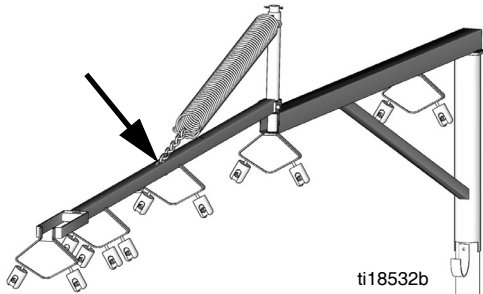
Add fluid to the solvent flush supply tank (if applicable), the catalyst supply reservoir, and the resin supply container.

# Operation

## Trigger Lock

Always engage the trigger lock when you stop spraying to prevent the gun from being triggered accidentally by hand or if dropped or bumped.

## Boom Operation



The height of the boom can be adjusted by adjusting which link in the chain is secured to the boom arm.

## Pressure Relief Procedure and Shutdown



The equipment stays pressurized until pressure is manually relieved. To help prevent serious injury from pressurized fluid such as skin injection, splashing fluid and moving parts, follow the Pressure Relief Procedure when you stop spraying and before cleaning, checking or servicing the equipment.

1. Close the main air supply ball valve.

### NOTICE

Stop the pump at the bottom of its stroke to prevent fluid from drying on the exposed displacement rod and damaging the throat u-cup seals.

2. Turn the main air supply pressure regulator fully counter-clockwise.

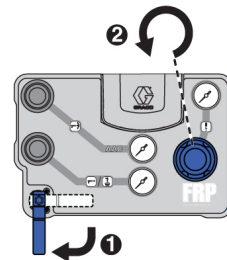


FIG. 10

3. Disengage the trigger lock on the gun. See FIG. 11.
4. With a grounded bucket below the gun, press the gun against the side of the bucket and pull the trigger to relieve pressure in the fluid lines.

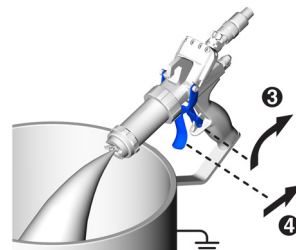


FIG. 11

- Engage trigger lock.

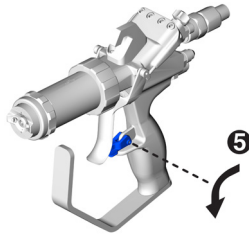


FIG. 12

- Turn catalyst pump pressure relief/recirculation valve to the pressure relief position.

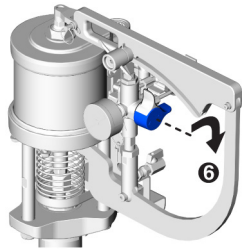


FIG. 13

- Verify that the resin pressure relief/recirculation fluid line is routed to a grounded container, then turn the pressure relief/recirculation valve to the pressure relief position.

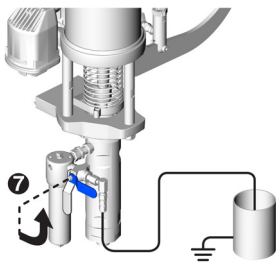


FIG. 14

- After the pressure is fully relieved, turn the pressure relief/recirculation valve to dispense position.

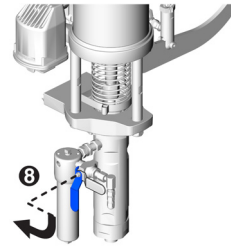




FIG. 15



- If you suspect the spray tip, hose, or filter is completely clogged or that pressure has not been fully relieved after following the previous steps, very slowly loosen the hose end coupling and relieve pressure gradually; then loosen completely.
- See the gun manual listed on page 3 for shutdown and maintenance procedures.
- Perform the scheduled maintenance items listed on page 38.



## Startup

**NOTE:** Do not exceed 20 psi (0.14 MPa, 1.4 bar) on the material air pressure regulator until a steady material flow has been established.

						
To avoid overpressurization, before turning on the main air supply ensure all regulators are adjusted fully counter-clockwise so they are set to zero pressure.						

- As desired, perform **Prime**, **Flush**, or **Spray** procedures beginning on page 27. Make sure to flush the system before first use to flush out oil used to test the equipment at the factory.

- Verify wetcup is filled with Graco Throat Seal Liquid (TSL™).
- Ensure main air line is connected to the air control panel air inlet (AA).
- For internal mix proportioners only*, check solvent line:
  - Verify gun is ready to begin operation. See gun manual.
  - Turn shutoff valve (AP) on the air control panel to the open position.
  - Open the air valve on the solvent pump and adjust the solvent pressure to 90 psi (0.63 MPa, 6.3 bar).
  - Open the ball valve on the solvent pump.
  - Open solvent knob on the gun to verify that solvent will flow out of the front of the gun through the dispense tip, then close the valve.

						
Oil left in the system at the factory can react with catalyst and create a fire or explosion.						
<ul style="list-style-type: none"> <li>Flush before first use.</li> <li>Do not add catalyst to the catalyst reservoir until the system has been flushed.</li> </ul>						

- If this is the first startup of the machine, perform the **Flush** procedure on page 30.



# Prime



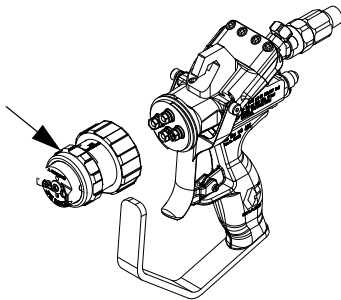
Perform this procedure upon initial system setup, whenever hoses are disconnected, if the supply hose is removed from the supply container, or if either pump is run dry. If done properly, this will prime the lines with fluid and/or remove any air bubbles from the fluid lines.



**NOTE:** If using an NXT air motor with DataTrak, see **DataTrak Operation**, page 33.

**NOTE:** For systems with DataTrak: When priming pumps, it is normal to get cavitation or pump runaway






alarms. Clear alarms , and press  again as necessary. These alarms prevent excessive pump speeds, which will damage pump packings.

1. To enable the user to better see fluid exiting each fluid port, the front end of the RS gun can be removed. This step is optional but can be very useful:
  - a. Follow **Pressure Relief Procedure and Shutdown** on page 24.
  - b. Remove the RS gun front end. See RS gun manual list on page 3 if desired.

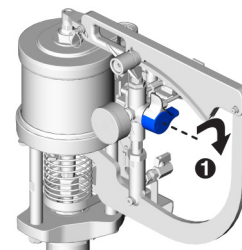


						
Oil left in the system at the factory can react with catalyst and create a fire or explosion. <ul style="list-style-type: none"> <li>• Flush before first use.</li> <li>• Do not add catalyst to the catalyst reservoir until the system has been flushed.</li> </ul>						

2. Verify the resin suction tube is in the resin supply container. Verify catalyst pump inlet tube is properly connected to the catalyst reservoir and catalyst pump fluid inlet ball valve is open. Verify both the resin supply container and catalyst supply reservoir have adequate fluid levels.

						
Never allow the pump to run dry of the fluid being pumped. A dry pump quickly accelerates to a high speed, possibly damaging itself and causing overpressurization and equipment rupture. If your pump accelerates quickly or is running too fast, stop it immediately and check the fluid supply. If the supply container is empty and air has been pumped into the lines, refill the container and prime the pump and the lines with fluid, or flush and leave it filled with a compatible solvent. Be sure to eliminate all air from the fluid system.						

3. *Units with runaway protection only:* enable the prime/flush function by pushing the prime/flush button on the DataTrak. This prevents the DataTrak from stopping the pump if it detects a high cycle rate.
4. Verify the pressure relief/recirculation valves on the catalyst pump is set to the pressure relief/recirculation position.



**FIG. 16**

- Verify the pressure relief/recirculation valves on the resin pump is set to the pressure relief/recirculation position.

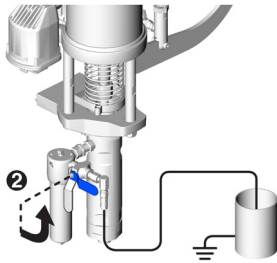


FIG. 17

- Turn the main air supply pressure regulator fully counter-clockwise to relieve pressure and set to zero pressure. See FIG. 18.
- Turn the main air supply ball valve to the open position. See FIG. 18.
- Slowly turn the main air supply pressure regulator clockwise until the pump starts to move and will change-over by itself. Never turn past 20 psi (0.14 MPa, 1.4 bar). See FIG. 18.

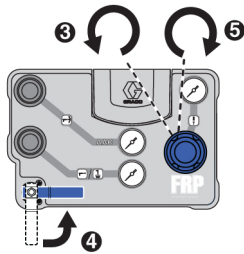


FIG. 18

- When material begins to flow and all air bubbles have been expelled, turn the resin pump pressure relief/recirculation valve to the dispense position.

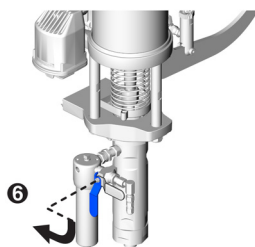


FIG. 19

- Turn the catalyst pump pressure relief/recirculation valve to the dispense position.

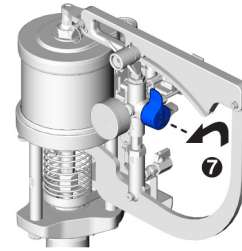


FIG. 20

- Disengage the trigger lock on the gun. See FIG. 21.



To reduce the risk of exposure to the dispensed material mist, when performing the following step use a pail lid with a hole to dispense through. Seal around hole and gun with a rag to prevent splash back.

To reduce the risk of skin injection, be careful to keep fingers away from front of gun.

To reduce the risk of fire and explosion, use a grounded pail.

- Purge air from resin and catalyst hoses:* with a grounded bucket below the gun, press the gun against the side of the bucket and pull the trigger to dispense. Continue dispensing until air-free fluid is dispensed from both ports on the front of the gun. See FIG. 21. The pump air pressure may need to increase slightly until the material begins to flow.

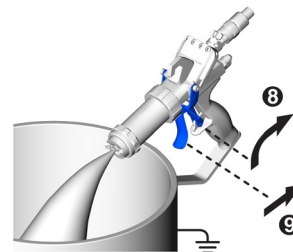


FIG. 21



13. Turn the main air supply ball valve to the closed position.

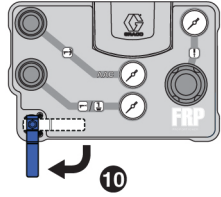


FIG. 22

14. Turn the catalyst pump pressure relief/recirculation valve to the pressure relief position. This will relieve any built up pressure.

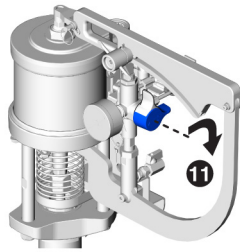


FIG. 23

15. Verify that the resin pressure relief/recirculation fluid line is routed to a grounded container, then turn the pressure relief/recirculation valve to the pressure relief position.

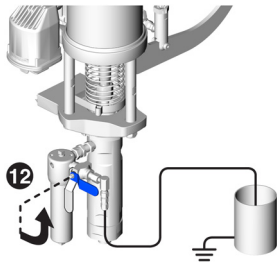


FIG. 24

16. *Units with runaway protection only:* disable the prime/flush function by pushing the prime/flush button on the DataTrak.
17. Engage gun trigger lock.
18. If the front end of the gun was removed, apply grease to o-rings and front of gun to prevent material from curing or sticking to it, then install gun front end.

## Flush



Oil left in the system at the factory can react with catalyst and create a fire or explosion.

- Flush before first use.
- Do not add catalyst to the catalyst reservoir until the system has been flushed.

To reduce the risk of fire and explosion and skin injection injury, only use a solvent compatible with the system wetted parts, the resin, and the catalyst.

Flush the system:

- Before first use
- When changing fluids
- Before repairing equipment
- Before fluid dries or settles out in a dormant pump (check the pot life of catalyzed fluids)
- Before storing the pump.

Flush at the lowest pressure possible. Flush with a fluid that is compatible with the fluid you are pumping and with the wetted parts in your system. Check with your fluid manufacturer or supplier for recommended flushing fluids and flushing frequency.

**NOTE:** Always flush catalyst pump separately by hand (remove pin from upper control arm and hand pump).

1. Remove all fluid inlet, recirculation, and weep lines from the catalyst reservoir and insert in a container filled with a compatible solvent.
2. Remove the resin pump fluid supply and recirculation lines from the resin supply container and insert in a container filled with a compatible solvent.

### NOTICE

To prevent accidentally mixing resin and catalyst in the solvent container, there must be two solvent containers used, with the resin pump fluid lines inserted in one and the catalyst pump fluid lines inserted in the other.

3. With the fluid lines in the two separate solvent containers, perform the **Prime** procedure at the lowest pressure possible. While performing this procedure, leave the fluid supply, recirculation, and supply lines in the solvent containers.

## Spray



**NOTE:** If using an NXT air motor with DataTrak, see **DataTrak Operation**, page 33, for instructions on using the DataTrak counter/totalizer.

Prior to production use, spray onto a clean piece of paper until all system settings are adjusted to optimize the spray pattern.

Perform this full procedure whenever the gun has been unused for an extended period of time, such as overnight. After performing this full procedure, spraying can be performed intermittently as desired by simply pulling the trigger and utilizing the trigger lock to prevent accidental triggering.

1. *If this is the first time starting up the system, if fluid lines have been disconnected, if the fluid supply line has been removed from the supply container, or if either pump has been run dry, perform **Prime** procedure on page 27.*
2. Turn the main air supply ball valve to the closed position.
3. Turn the main air supply pressure regulator fully counterclockwise.

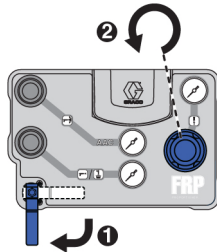


FIG. 25

4. Turn the resin pump pressure relief/recirculation valve to the dispense position.

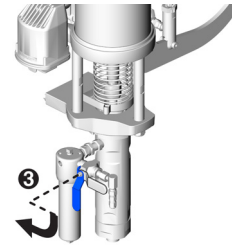


FIG. 26

5. Turn the catalyst pump pressure relief/recirculation valve to the dispense position. See FIG. 27.
6. Bring catalyst pump fluid outlet line to dispensing pressure (see FIG. 27):
  - a. Remove pin connecting upper catalyst pump arm to air motor rod then manually stroke the pump until the catalyst pressure gauge shows:
    - External mix systems:* 30-40 psi (0.21-0.28 MPa, 2.1-2.8 bar).
    - Internal mix systems:* 300-400 psi (2.1-2.8 MPa, 21-28 bar).
  - b. Insert pin to connect upper catalyst pump arm to air motor.

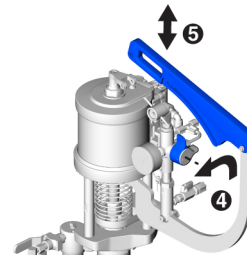


FIG. 27

7. Turn the main air supply ball valve to the open position. See FIG. 28.
8. Slowly turn the main air supply pressure regulator clockwise until the main air supply pressure gauge reads the desired pressure. See FIG. 28.

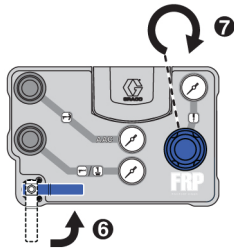


FIG. 28

9. Disengage trigger lock on the gun. See FIG. 29.
10. Pull trigger to begin dispensing. See FIG. 29.

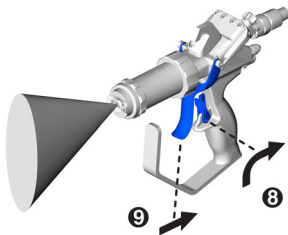


FIG. 29

**NOTE:** In the following step, to minimize catalyst over-spray, use as little catalyst atomization air pressure as possible to achieve desired spray pattern. See the spray gun manual for instructions.

11. If the spray pattern has not already been set up to perform as desired, see RS gun manual for detailed instructions for how to optimize the spray pattern, including adjusting the AAC air pressure at the system or gun, and adjusting the catalyst atomization air.

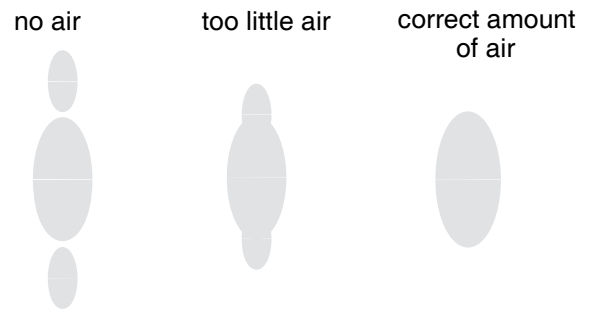


FIG. 30: AAC Air Adjustment

12. After all pressure adjustments are made, spray a final test shot on a clean piece of paper. This shot should be approximately 5 ft long. Check desired gel times and uniformity of curing.
13. *For internal mix proportioners only:* When finished spraying engage trigger lock then point the gun into a waste container and use the solvent knob on the gun to move solvent through the gun to flush the gun.
14. *For external mix proportioners only:* When finished spraying, squirt the tip of the gun with solvent to remove any mixed material.
15. If necessary, use a brush to remove cured material from front of the gun.
16. *If finished spraying for an extended period of time:* Follow **Pressure Relief Procedure and Shutdown** on page 24.

# DataTrak Operation

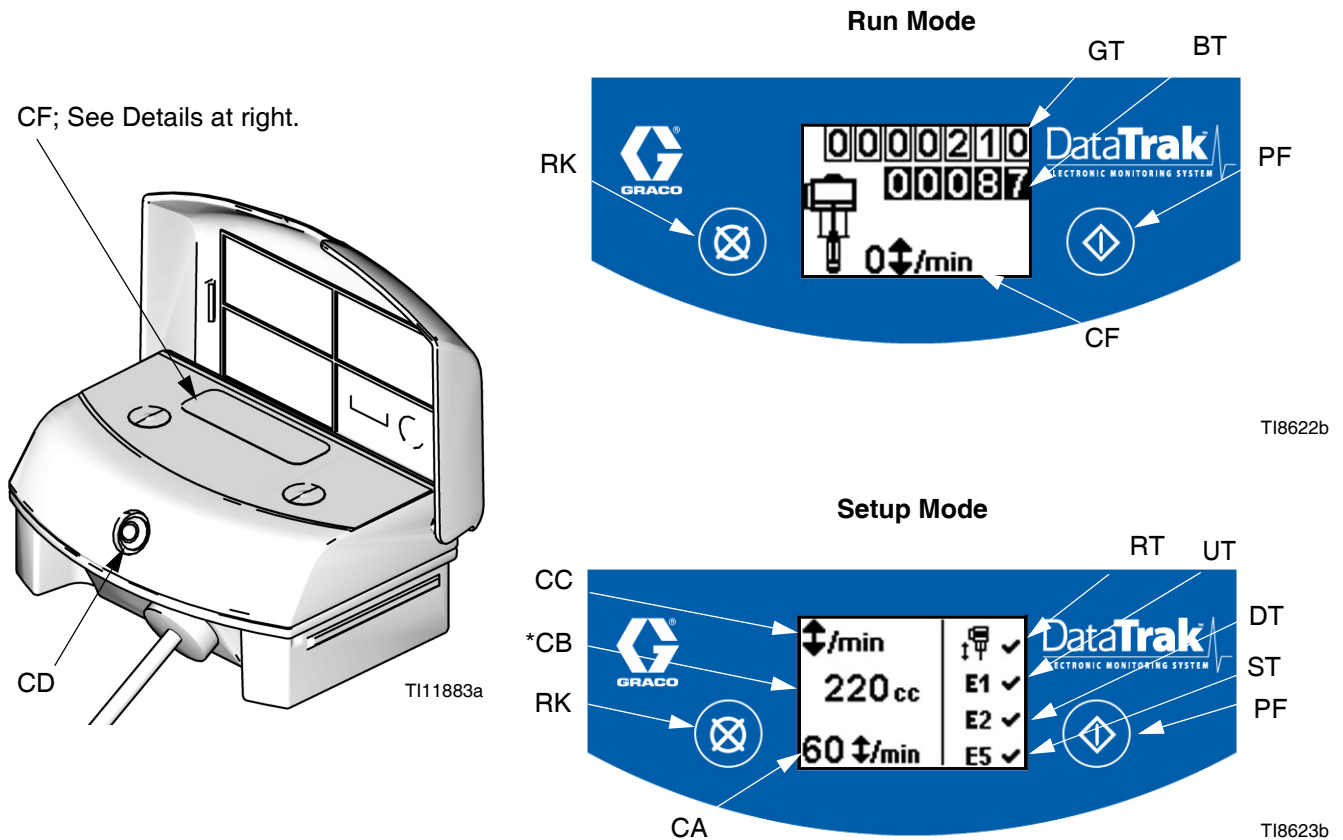
For DataTrak installation instructions, see NXT Air motor for FRP manual.

**NOTICE**

To prevent damage to the soft key buttons, do not press the buttons with sharp objects such as pens, plastic cards, or fingernails.

## Controls and Indicators

**NOTE:** See FIG. 31. The display (Y) will turn off after 1 minute of inactivity in Run mode or 3 minutes in Setup mode. Press any key to wake up the display. DataTrak will continue to count cycles when display is off.



**FIG. 31. DataTrak Controls and Indicators**

**Key:**




- CA Runaway Limit, in cycles per minute (user settable; 00=OFF)
- CB \* Lower Displacement (user settable)
- CC Flow Rate Units (user settable to ↓/min, gpm [US], gpm [Imperial], oz/min [US], oz/min [Imperial], l/min, or cc/min)
- CD LED (fault indicator when lit)
- CE Diagnostic Reference Card (see Table 1, page 37)
- CF Display

- PF Prime/Flush Key (Enables Prime/Flush mode. While in Prime/Flush mode, runaway protection is disabled and the batch totalizer (BT) will not count.)
- RK Reset Key (Resets faults. Press and hold for 3 seconds to clear the batch totalizer.)
- CF Cycle/Flow Rate
- BT Batch Totalizer
- GT Grand Totalizer
- RT Runaway Toggle (enable/disable)
- UT E1 Error Option (enable/disable)
- DT E2 Error Option (enable/disable)
- ST E5 Error Option (enable/disable)


## Operation

- \* 9:1 pump setting is 100cc (for 2 in stroke).
- 13:1 pump setting is 80cc (for 2 in stroke).
- 17:1 pump setting is 60cc (for 2 in. stroke).

## Setup Mode

1. See FIG. 31. Press and hold  for 5 seconds until Setup menu appears.
2. To enter settings for runaway, lower size, and flow rate units, and to enable runaway, E1, E2, and E5 error options, press  to change the value, then  to save the value and move the cursor to the next data field. See page for a description of E1, E2, and E5 error codes.

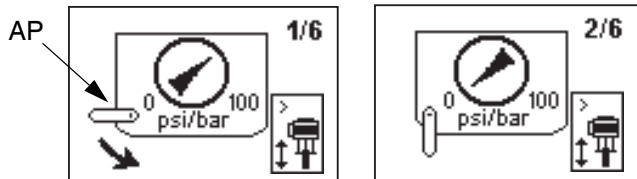
**NOTE:** When runaway, E1, E2, and E5 error options are enabled, a ✓ will appear on the setup screen. See FIG. 31.

3. Move the cursor to the E5 error enable option field, then press  once more to exit Setup mode.

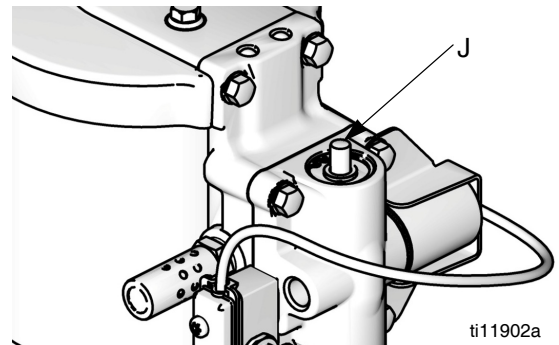
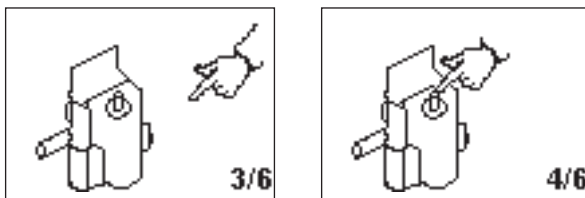
## Run Mode

### Runaway Monitor


1. See FIG. 31. If pump runaway occurs, the runaway solenoid will actuate, stopping the pump. The LED (CD) will flash and the display (CF) will indicate a runaway condition (see Table 1). The display will cycle through six instruction screens.
2. Runaway Screens 1 and 2: To reset the runaway solenoid, close the master air valve (AP). Wait for air to completely bleed off the air motor.

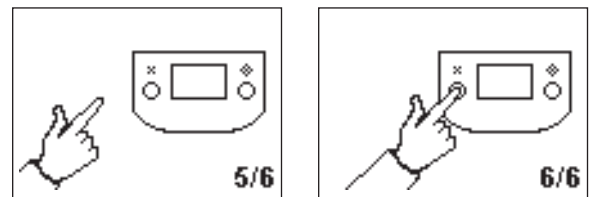


3. Runaway Screens 3 and 4: After the air is bled off, push the solenoid release button (J) down to reset the air valve. The button will pop back up when the air valve is repressurized.




**FIG. 32. Solenoid Release Button**


4. Runaway Screens 5 and 6: Press  to clear the diagnostic code and reset the runaway solenoid.



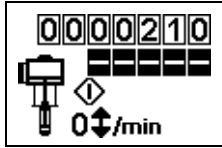
5. Open master air valve (AP) to restart pump.


**NOTE:** To disable runaway monitoring, go to setup mode and set runaway value (CA) to 0 (zero) or disable (RT)  (see FIG. 31).

**Prime/Flush**


1. See FIG. 31. To enter Prime/Flush mode, press any key to wake up the display, then press . The Prime/Flush symbol will appear in the display and

the LED will flash




2. While in Prime/Flush mode, runaway protection is disabled and the batch totalizer (BT) will not count. The grand totalizer (GT) continues to count.
1. To exit Prime/Flush mode, press any key to wake up the display, then press . The Prime/Flush symbol will disappear from the display and the LED will stop flashing.

**Counter/Totalizer**

See FIG. 31. The last digit of the batch totalizer (BT) represents tenths of gallons or liters. To reset the totalizer, press any key to wake up the display, then press and hold  for 3 seconds.

- If AC is set to gallons or ounces, BT and GT display gallons.
- If AC is set to liters or cc, BT and GT display liters.
- If AC is set to cycles, BT and GT display cycles.

Press  to toggle between flow rate units and cycles. A letter under the BT display indicates that both BT and GT are displaying gallons (g) or liters (l). No letter means both BT and GT are displaying cycles.

**Display**


See FIG. 31. The display (CF) will turn off after 1 minute of inactivity in Run mode or 3 minutes in Setup mode. Press any key to wake up the display.

**NOTE:** DataTrak will continue to count cycles when display is off.

**NOTE:** The display (CF) may turn off if a high-level static discharge is applied to the DataTrak. Press any key to wake up the display.

**Diagnostics**

DataTrak can diagnose several problems with the pump. When the monitor detects a problem, the LED (CD, See FIG. 31) will flash and a diagnostic code will appear on the display. See Table 1.



To acknowledge the diagnosis and return to the normal operating screen, press  once to wake up the display, and once more to clear the diagnostic code screen



**Table 1: Diagnostic Codes**

Symbol	Code	Code Name	Diagnosis	Cause
		Runaway (DataTrak only)	Pump running faster than set runaway limit.	<ul style="list-style-type: none"> <li>Increased air pressure.</li> <li>Increased fluid output.</li> <li>Exhausted fluid supply.</li> </ul>
	E-1	Diving Up	Leak during upstroke.	Worn piston valve or packings.
	E-2	Diving Down	Leak during downstroke.	Worn intake valve.
	E-3	Low Battery	Battery voltage too low to stop runaway.	Low battery. Replace battery; see page 38.
	E-4	Service Component 1 (units with runaway protection only)	Problem with stopping runaway.	<ul style="list-style-type: none"> <li>Damaged solenoid.</li> <li>Damaged valve carriage.</li> <li>Runaway (RT, FIG. 31) protection may be enabled with pump that is not equipped with a runaway solenoid valve. Enter setup screen and disable runaway protection.</li> </ul>
	E-4	Disconnected Solenoid (units with runaway protection only)	Solenoid is disconnected.	<ul style="list-style-type: none"> <li>Solenoid unplugged.</li> <li>Damaged solenoid wires.</li> </ul>
			Solenoid is not engaging piston cup.	<ul style="list-style-type: none"> <li>Bracket and solenoid not tight against air valve housing.</li> </ul>
	E-5	Service Component 2	Problem with sensing valve movement.	<ul style="list-style-type: none"> <li>Sensors unplugged.</li> <li>Sensors mounted incorrectly.</li> <li>Damaged sensors.</li> <li>Damaged valve carriage.</li> </ul>
	E-6	Blown Fuse	Fuse is blown. Replace fuse; see page 38.	<ul style="list-style-type: none"> <li>Faulty solenoid or solenoid wiring.</li> <li>Extreme temperatures (above 140°F [60°C]).</li> <li>Runaway (RT, FIG. 31) protection may be enabled with pump that is not equipped with a runaway solenoid valve. Enter setup screen and disable runaway protection.</li> </ul>

## Replace DataTrak Battery or Fuse

						
<p>The battery and fuse must be replaced in a non-hazardous location.</p> <p>Use only the following approved replacement batteries. Use of an unapproved battery will void Graco's warranty and FM and Ex approvals.</p> <ul style="list-style-type: none"> <li>• Ultralife lithium # U9VL</li> <li>• Duracell alkaline # MN1604</li> <li>• Energizer alkaline # 522</li> <li>• Varta alkaline # 4922</li> </ul> <p>Use only a Graco-approved replacement fuse. Order Part 24C580.</p>						

### Replace Battery

1. Unscrew cable from the back of the reed switch assembly. See FIG. 33.
2. Remove the cable from the two cable clips.

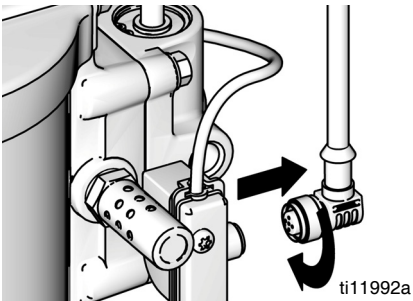


FIG. 33. Disconnect DataTrak

3. Remove DataTrak module from bracket. Take module and attached cable to a non-hazardous location.

4. Remove two screws on back of module to access battery.
5. Disconnect the used battery and replace with an approved battery. See FIG. 34.

### Replace Fuse

1. Remove the screw, metal strap, and plastic holder.
2. Pull the fuse away from the board.
3. Replace with a new fuse.

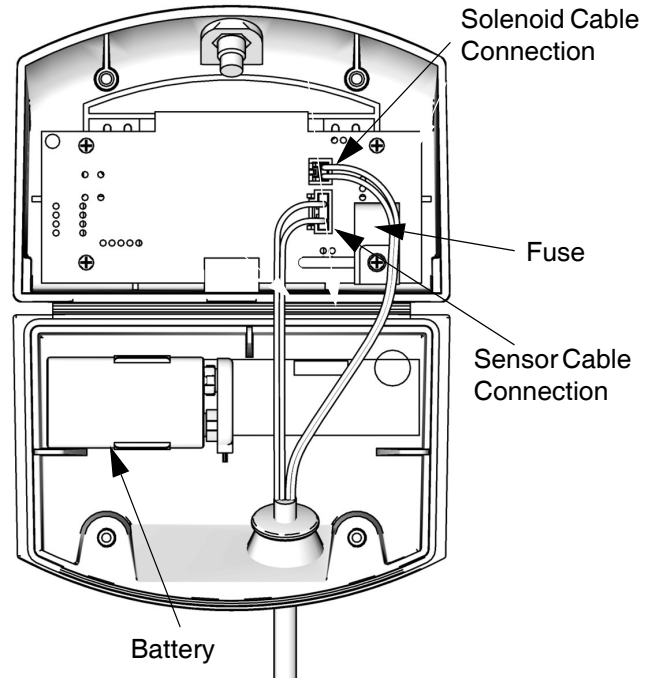


FIG. 34. DataTrak Battery and Fuse Location

# Maintenance



Task	Schedule
Inspect pump wetcup and fill with TSL and remove any particles or residue	Daily
Remove resin pump outlet filter and flush debris	Daily
Inspect hoses for wear or damage and replace immediately if found	Weekly
Remove catalyst reservoir filter and clean with solvent	As needed
Replace catalyst reservoir filter	As needed
Flush system	As needed

## Components

See component manuals listed on page 3 for maintenance schedules and procedures for each component.

# Troubleshooting



Follow **Pressure Relief Procedure and Shutdown** on page 24 before checking or servicing the equipment.

## Problems

Try the recommended solutions in the order given for each problem, to avoid unnecessary repairs.

## Catalyst Pump

See **Catalyst Slave Pumps** parts illustration on page 68 for parts identification.

Problem	Cause	Solution
Pressure loss on up stroke.	Worn transfer housing seal.	Replace transfer housing seal.
	Worn transfer housing seat.	Replace transfer housing.
Pressure loss on up stroke and down stroke.	Worn weep seals.	Replace weep cartridge.
	Blow off valve spring is wearing out.	Replace blow off valve.
	Loose fittings on spray gun and/or hoses.	Tighten fittings on spray gun and hoses.
	Scratched piston rod.	Replace piston rod.
Pressure not building on up stroke.	Damaged transfer housing seat.	Replace transfer housing.
Pressure not building on down stroke.	Scratched inlet valve.	Replace inlet valve.
Leakage from cartridge housing.	Loose cartridge housing.	Tighten cartridge housing.
	Loose bearing.	Tighten bearing.
Pressure being relieved through relief valve or check valve at a low pressure.	Relief valve or check valve has a weak spring.	Replace relief valve or check valve.
Pump will not prime.	Fluid inlet ball valve is closed.	Open fluid inlet ball valve.
Excessive weepage	Missing snap-on seal retainer	Remove cartridge and install
	Worn or damaged snap-on seal retainer	Remove and replace

## Resin Pump

See **Resin Pumlines** on page 62 for parts identification.

Problem	Cause	Solution
Does not operate.	Valve closed or clogged.	Clear air line; increase air supply. Check that valves are open.
	Fluid hose or gun obstructed.	Clean hose or gun.*
	Dried fluid on displacement rod.	Clean rod; always stop pump at bottom of stroke; keep wet-cup filled with Throat Seal Liquid (TSL).
	Air motor parts dirty, worn, or damaged.	Clean or repair air motor. See air motor manual.
	Runaway error on DataTrak tripped (if DataTrak installed)	See <b>DataTrak Operation-Runaway Monitor</b> , page 35.
Stall on bottom of stroke.	Runaway solenoid actuated. (if DataTrak installed)	Enable runaway protection, if disabled, then see Runaway, page 35, to reset the runaway solenoid.

Problem	Cause	Solution
Output low on both strokes.	Air line restricted or air supply inadequate. Valves closed or clogged.	Clear air line; increase air supply. Check that valves are open.
	Fluid hose/gun obstructed.	Clear hose or gun*.
	Air motor icing.	See air motor manual for instructions.
	Exhausted fluid supply.	Refill and prime pump.
	Worn piston packings.	Replace.
	Open or worn intake valve.	Clear or service intake valve.
Pump output low on only one stroke.	Held open or worn ball check valves.	Check and repair.
	Worn piston packings.	Replace.
No output.	Improperly installed ball check valves.	Check and repair.
Pump operates erratically.	Exhausted fluid supply.	Refill and reprime pump.
	Held open or worn ball check valves.	Check and repair.
	Worn piston packing.	Replace.
	Suction tube too restrictive, causing pump to cavitate	Use larger diameter tube
Erratic accelerated speed.	Fluid supply exhausted, clogged suction.	Refill supply and prime pump. Clean suction tube.
	High viscosity fluid.	Reduce viscosity; increase fluid temperature, reduce flow rate by using smaller tip.
	Open or worn piston valve or seal.	Clear piston valve; replace seal.
	Open or worn intake valve.	Clear or service intake valve.
Runs sluggishly.	Possible icing.	See air motor manual for instructions.
	Filler material clumping causing extra friction on rods and seals.	Flush pump and replace packings.
Cycles or fails to hold pressure at stall.	Worn check valves or seals.	Service lower. See lower manual for instructions.
Air bubbles in fluid.	Loose suction line.	Tighten. Use compatible liquid thread sealant or PTFE tape on connections.
Poor finish or irregular spray pattern.	Incorrect fluid pressure at gun.	See gun manual; read fluid manufacturer's recommendations.
	Fluid is too thin or too thick.	Adjust fluid viscosity; read fluid manufacturer's recommendations.
	Dirty, worn, or damaged spray gun.	Service spray gun. See spray gun manual.
Difficulty priming	Inlet ball stuck to seat	Tap pump with hammer to dislodge.
		Remove inlet ball, flush dried material, re-install inlet ball.
	Suction hose/strainer too restrictive or clogged	Clean inlet strainer, shorten hose length and/or increase hose diameter (especially cold or viscous material).

\* To determine if fluid hose or gun is obstructed, follow **Pressure Relief Procedure and Shutdown**, page 24. Disconnect fluid hose and place a container at pump fluid outlet to catch any fluid. Turn on air power just enough to start pump. If pump starts, the obstruction is in fluid hose or gun.

\*\* The runaway solenoid can still be actuated if the Runaway Error is not displayed. Also, disabling the runaway monitor will not retract the solenoid.

# Repair

--	--	--	--	--	--	--	--	--

- To reduce the risk of fire and explosion, repair procedures must be performed in a non-hazardous location. Move system to non-hazardous location before performing any repair procedure.
- Follow **Pressure Relief Procedure and Shut-down** on page 24 before checking or servicing the equipment.
- To prevent contact with fluids, flush the system prior to disassembling any components that contain catalyst or resin.

## General Information

- Reference numbers and letters in parentheses in the text refer to the callouts in the figures and the parts drawing.
- Always use Genuine Graco Parts and Accessories, available from your Graco distributor. If you supply your own accessories, be sure they are adequately sized, pressure rated, and made of materials compatible with your system.

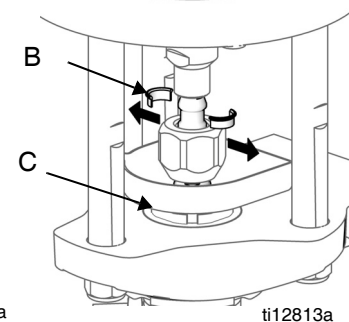
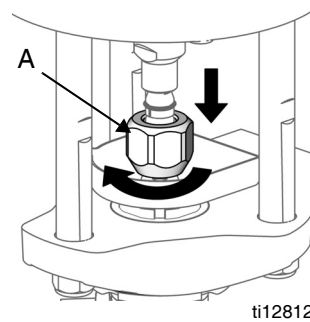
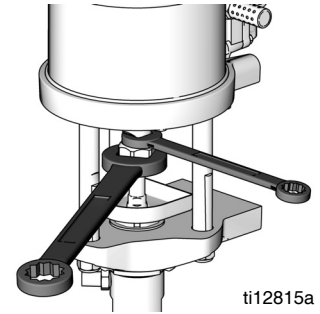
## Disconnect the Displacement Pump

--	--	--	--	--	--	--	--	--

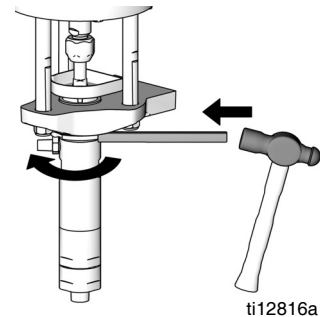
See manual 3A2313 for displacement pump service and parts information.

- Flush the pump, see page 30.
- Stop the pump in the middle of the stroke.
- Relieve the pressure, see page 24.
- Disconnect the air supply and fluid hoses.

- Hold the flats of the air motor piston rod with a wrench. Use another wrench to loosen the coupling nut.
- Lower the coupling nut (A) enough to remove the coupling collars (B), and then remove the coupling nut (A). Use a magnet to aid removing the two collars (B).



- Pull up on TSL reservoir (C) to remove.
- Use a hammer and brass rod to loosen the jam nut. Unscrew the jam nut as far as possible.
- Protect hands with a rag then unscrew the displacement pump by hand and place on work bench.



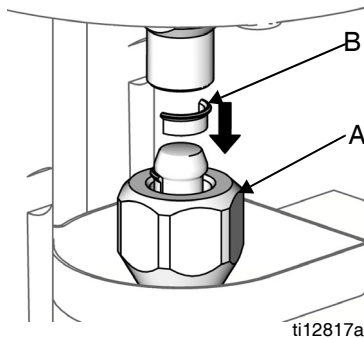
--	--	--	--	--	--	--	--

Threads are very sharp. Use a rag to protect hands when hand turning or carrying the pump.

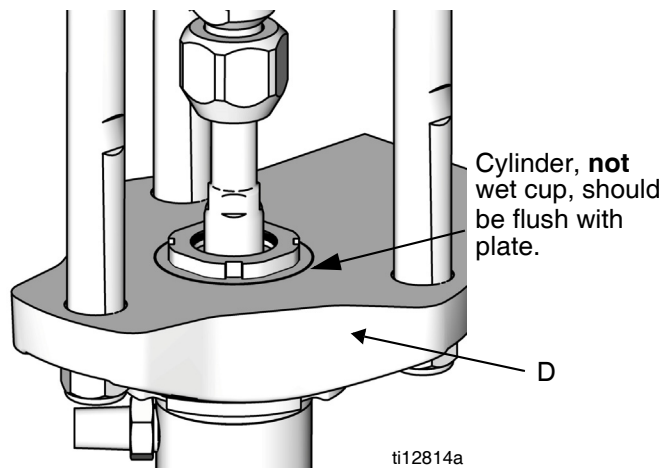
- See displacement pump manual 3A2313 for pump service procedures and parts information.

## Reconnect the Displacement Pump

1. Disconnect air supply from air motor.
2. Hand-turn the displacement pump into the adapter plate.
3. Install coupler spring guard and TSL reservoir.
4. Hold the air motor piston rod up with one hand. With your other hand, put the coupling nut (A) on the displacement rod.
5. Put the coupling collars (B) into the coupling nut (A) so large flanges point upward.
6. Gently let the air motor piston rod drop onto the displacement rod. Hand tighten the coupling nut (A).
7. Screw the displacement pump into the adapter plate (D) until the cylinder top is flush with the top of the adapter plate.



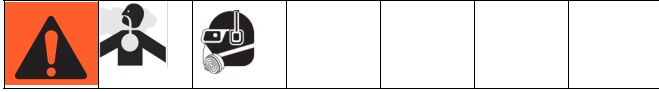
8. Align fluid outlet as shown and tighten the jam nut.
9. Align the TSL reservoir (C) and push it down into place.
10. Hold the flats of the motor rod with a wrench. Use another wrench to tighten the coupling nut (A). Torque to 75-80 ft-lb (102-108 N•m).
11. Reconnect air supply to motor.



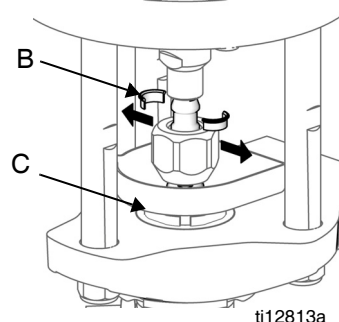
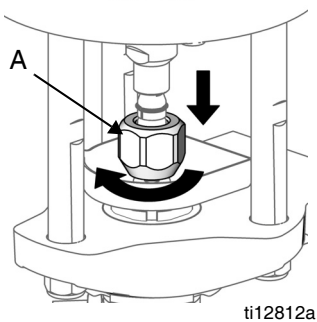
**FIG. 35. Align cylinder and adapter plate.**

## Disconnect the Air Motor

See manual 3A2315 for air motor service and parts information. See FIG. 36 on page 45.



1. Relieve the pressure, see page 24.
2. Disconnect main air supply line from the inlet on the air control panel (AE).
3. Disconnect grounding wire.
4. Disconnect items from the air motor:
  - a. Note location of all air hoses connected to air motor then disconnect the hoses from the air motor.
  - b. Remove top pin (AA) connecting upper catalyst pump arm to air motor, then remove bolts (AB) connecting lower catalyst pump arm to air motor then remove catalyst pump and control arms assembly (AC).
  - c. Remove two bolts (AD) securing air control panel to air motor then remove air control panel (AE).
5. Hold the flats of the air motor piston rod with a wrench. Use another wrench to loosen the coupling nut (A). Lower the coupling nut (A) enough to remove the coupling collars (B), then remove the coupling nut (A).



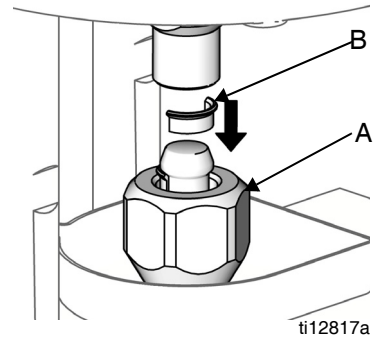
6. Use a 23 mm socket to remove the tie rod nuts (AF).
7. Use a 13 mm socket to loosen the top two screws (AG) that secure air motor to mounting bracket (AH).

8. Lift up on the air motor to remove it. The tie rods (AJ) will remain attached to the air motor.
9. Use a socket on the flats of the tie rods (AJ) to remove them from the bottom of the air motor.
10. See air motor manual 3A2315 for repair procedures and parts information.

## Reconnect the Air Motor

See FIG. 36 on page 45.

1. Screw the tie rods (AJ) into the bottom of the air motor. With a wrench on the flats of the tie rods, torque to 50-55 ft-lb (68-75 N•m).
2. Align the tie rods (AF) with the holes in the pump adapter. Carefully lower the air motor into place.
3. Attach the tie rod nuts (AF) to tie rods then torque to 50-60 ft-lb (68-81 N•m).
4. Install and tighten the screws (AG) that secure air motor to mounting bracket (AH).
5. Install coupler spring guard and TSL reservoir.
6. With coupling collars (B) in place, hand tighten the coupling nut, then torque to 75-80 ft-lb (102-108 N•m).
7. Connect the air and fluid hoses.



<p>The equipment must be grounded to reduce the risk of static sparking and electric shock. Electric or static sparking can cause fumes to ignite or explode. Improper grounding can cause electric shock. Grounding provides an escape wire for the electric current</p>							

8. Attached grounding wire to true earth ground.



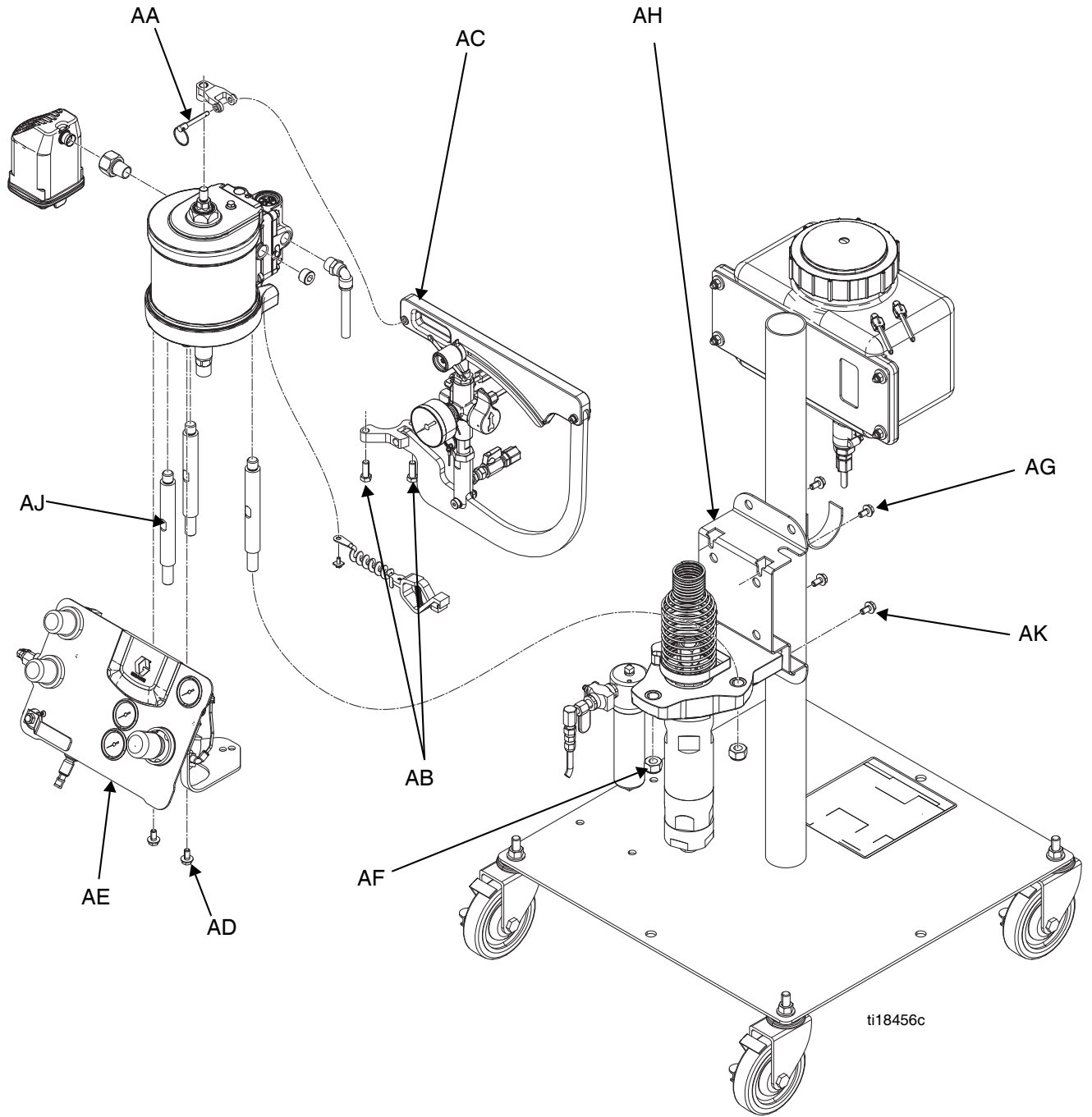


FIG. 36

## Replace Pumpline

This procedure is only needed if the entire pumpline will be replaced. If just installing repair parts in the air motor and/or displacement pump, see **Disconnect the Displacement Pump** on page 42, **Disconnect the Air Motor** on page 44, displacement pump manual 3A2313 or 312792, and air motor manual 3A2315.

1. Flush the pump, see page 30.
2. Relieve the pressure, see page 24.
3. Disconnect main air line from air panel (AE).
4. Disconnect items from the air motor, see FIG. 36 on page 45:
  - a. Note location of all air hoses connected to air motor then disconnect the hoses from the air motor.
  - b. Remove top pin (AA) connecting upper catalyst pump arm to air motor, then remove bolts (AB) connecting lower catalyst pump arm to air motor then remove catalyst pump and control arms assembly (AC).
  - c. Remove two bolts (AD) securing air control panel to air motor then remove air control panel (AE).
5. Disconnect the air and fluid hoses.
6. Disconnect the ground wire.
7. Use a socket to loosen the two screws (AG) connecting the air motor to the mounting bracket (AH).
8. Use a socket to remove the two screws (AK) securing the displacement pump to the mounting bracket.
9. Lift up on the pumpline to slide pumpline out of bracket.
10. Reassembly is reverse of assembly.

## Repair Catalyst Pump

See FIG. 37 on page 49 for reference numbers.

### Remove Catalyst Pump from System

1. Flush the pump, see page 30.
2. Relieve the pressure, see page 24.
3. Close catalyst supply ball valve and disconnect fluid lines.
4. Remove top pivot knob securing catalyst pump to upper control arm.
5. Remove bolt securing catalyst pump to lower control arm then remove catalyst pump.

### Disassemble Catalyst Pump

6. Pull pivot knob (929) out to fully extend the slave pump rod (910).
7. Remove quick release pin (908) from slave pump housing (901).
8. Holding the slave pump housing (901) stationary with one hand, use a crescent wrench on the flats of the slave pump cylinder (918) to loosen then remove the cylinder and foot valve (922) assembly.
9. Place the slave pump housing (901) in a vise. Use the flats provided by the quick-release pin (908) hole.
10. Use a crescent wrench on the flats of the cartridge (902) to loosen then remove the cartridge and piston rod (910) assembly.

### Repair Throat and Piston Seals

11. Use a wrench on the flats of the piston rod (910) to hold it stationary while using a second wrench on the flats of the transfer housing (914) to loosen then remove the housing and cap (917) assembly.
12. Install bullet tool 16D007 on the piston rod (910) then pull the rod (910) out of the cartridge (902).

#### NOTICE

Bullet tool 16D007 must be used or damage to the seals will result when removing or installing items onto the rod.

13. Remove snap-on seal retainer (902e) then remove seal (902f).

14. Use crescent wrench to loosen then remove the bearing (902b) and felt wiper (902d) assembly.
15. Remove seal (902f) from inside of cartridge (902a).
16. Remove o-ring (902g).
17. Install new seal (902f) into bottom of the cartridge (902a) with the u-cup opening facing into the pump.
18. Install seal (902f) with onto weep seal installation tool 16N967 with u-cup opening facing into the pump then use tool to install seal into inside of cartridge (902a).
19. Install felt wiper (902d) and bearing (902b) into cartridge (902a). Tighten to 20-60 in-lb (2.3-6.8 N•m).
20. Install o-ring (902g).
21. Install snap-on seal (902e).
22. Lubricate the piston rod.
23. With bullet tool 16D007 installed on the piston rod, install cartridge assembly (902) onto the rod.
24. Remove the bullet tool.
25. Use one wrench on the transfer housing (914) and another on the transfer housing cap (917) to break them loose from each other then remove the cap from the housing.
26. Remove seal (915) and guide (916) from transfer housing.
27. Remove spring (911), valve (912), and o-ring (913) from transfer housing.
28. Remove o-ring (913) from the valve (912).
29. Install new o-ring (913) on new valve (912).

## Repair

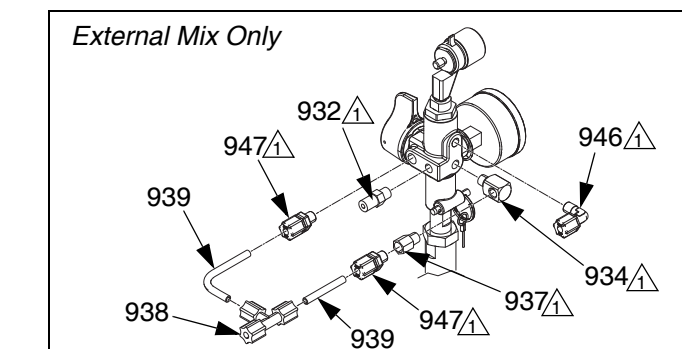
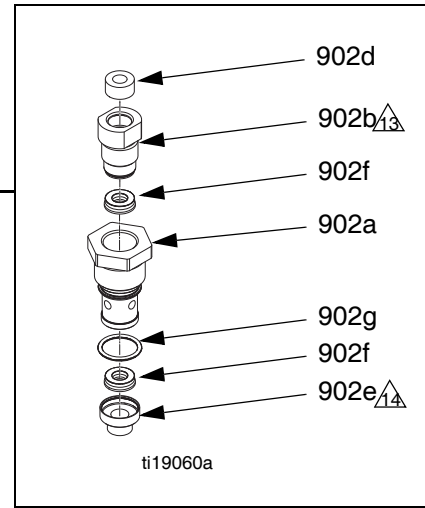
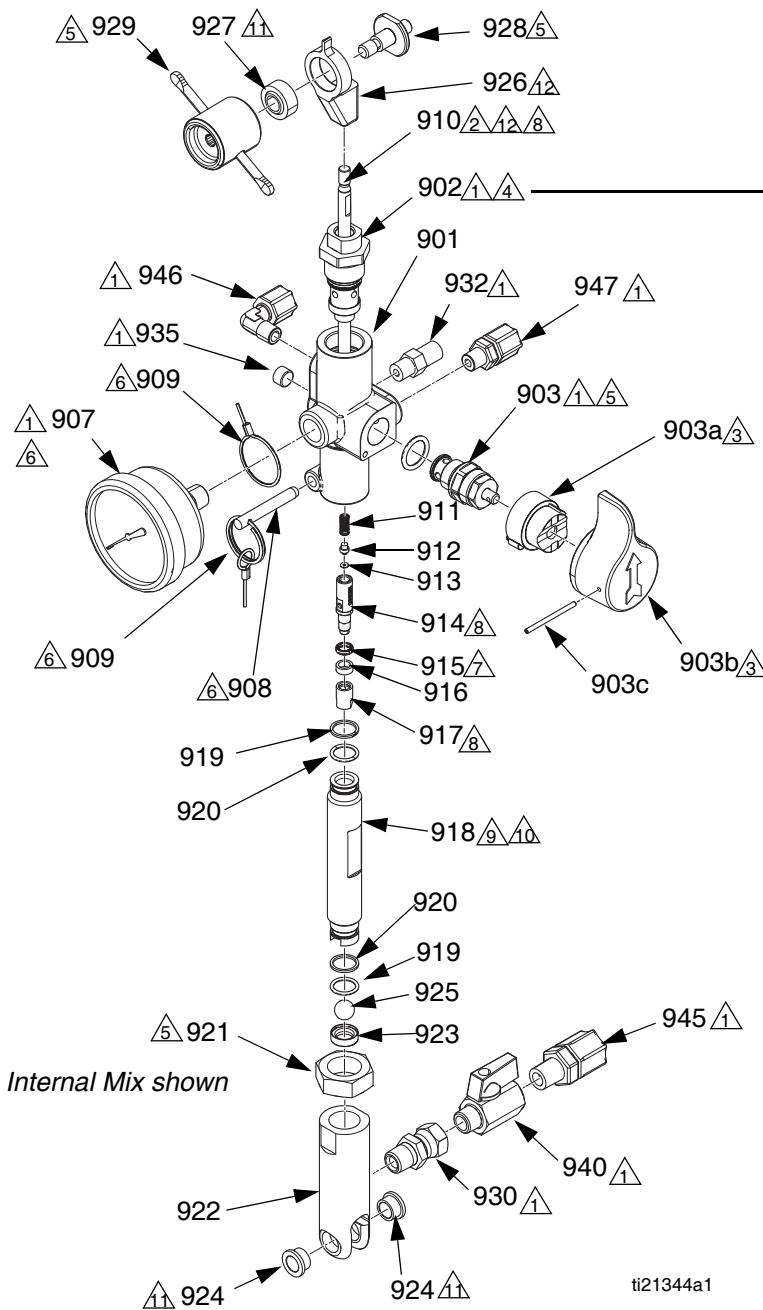
30. Hold spring (911) upright, place valve (912) on top of spring, slide transfer housing (914) upside down over the spring then flip upright.
31. Install transfer housing (914) onto piston rod (910). Use flats on rod and transfer housing to torque transfer housing against the piston rod to 30-50 in-lb (3.4-5.6 N•m).
32. Slide the cartridge (902) down against the transfer housing (914).
33. Install u-cup (915) onto transfer housing with u-cup opening facing up towards the rod.
34. Install guide (916) onto transfer housing.
35. Install transfer housing cap (917) onto transfer housing. Use flats to torque to 30-50 in-lb (3.4-5.6 N•m).

## Repair Foot Valve

36. Use wrench to loosen lock nut (921) then remove cylinder (918) from foot valve (922).
37. Remove ball (925) from foot valve.
38. Remove backup o-ring (920) and o-ring (919) from both ends of the cylinder (918).
39. Remove ball seat (923). Tool 24N253 can be used to aid ball seat removal.
40. Place new ball seat onto seat installation tool 16N996 with lip opening facing in towards tool.
41. Place tool into foot valve then tap with a hammer until ball seat is properly seated then remove tool.
42. Install new backup o-ring (920) and o-ring (919) onto both ends of the cylinder (918). Make sure to install the o-rings in the correct position, with the backup o-rings towards the center of the cylinder.
43. Lubricate the backup o-rings (920) and o-rings (919).
44. Install ball into foot valve.
45. Thread cross-cut end of cylinder into foot valve by hand until it bottoms out but do not tighten the jam nut.

## Assemble Catalyst Pump

46. Verify cartridge (902) is pressed against the transfer housing (914).
47. Lubricate the o-ring (902g) on the cartridge.
48. Apply thread sealant to the threads of the cartridge (902a).
49. With the slave pump housing (901) in a vise, carefully thread the cartridge (902) into the housing. Torque the cartridge to 240 in-lb (27.1 N•m).
50. Lubricate the o-rings (919, 920) on the cylinder (918).
51. Hand-thread the cylinder (918) into the slave pump housing (901) all the way until the cylinder bottoms out. Rotate the cylinder counterclockwise less than 1/2 turn until the flat on the cylinder is parallel with the quick-release pin hole then insert the quick-release pin (908).
52. With the quick-release pin in place, rotate the foot valve counterclockwise less than one full-turn so that it is facing directly backwards relative to the pressure gauge.
53. Hold the foot valve in position and tighten the lock nut (921) against the foot valve to 225-275 in-lb (25.4-31.1 N•m).
54. Push the piston rod (908) down into the slave pump housing (901).

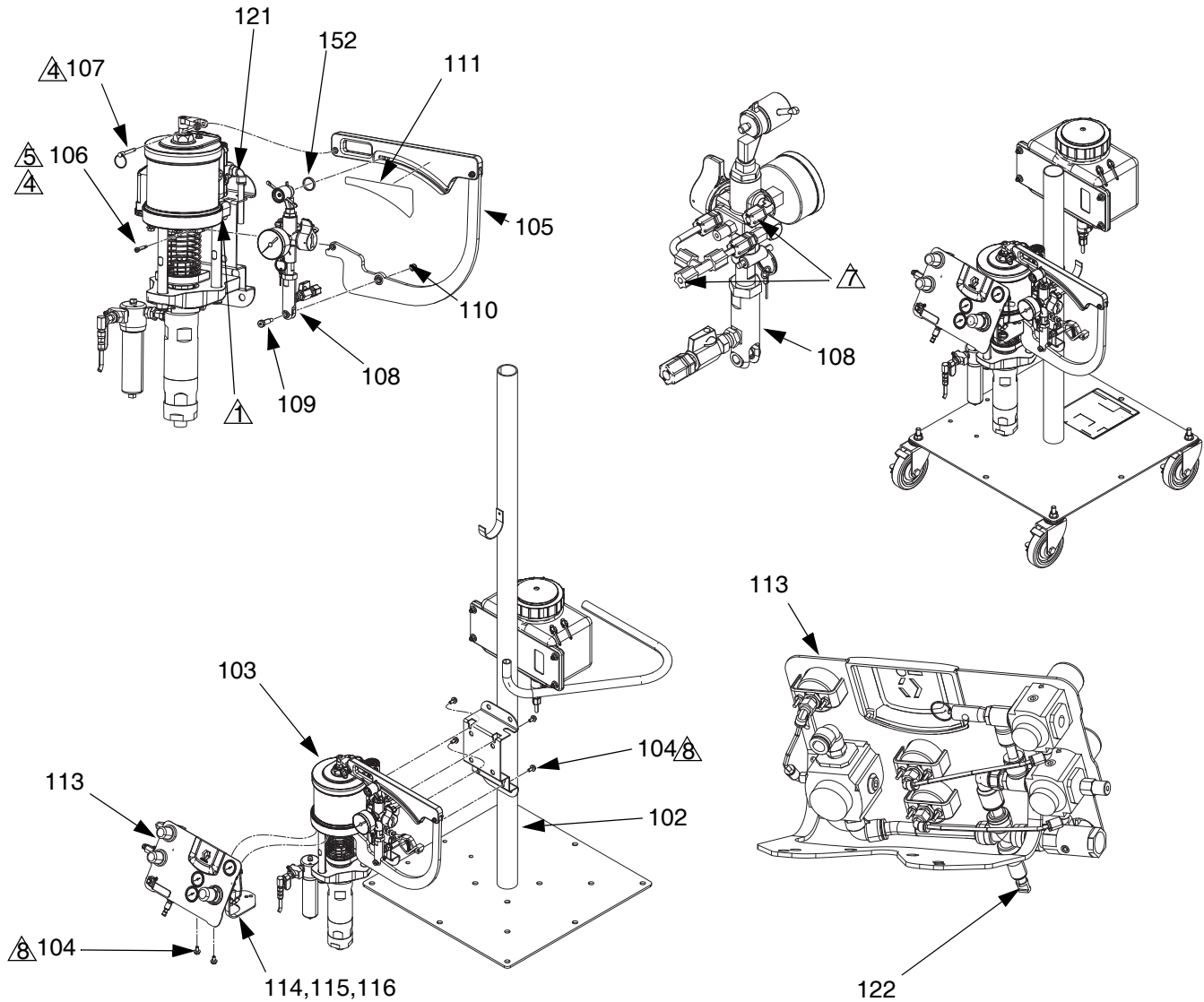


- ▲ Apply pipe sealant to threads.
- ▲ Apply thread locker to mating surfaces or threads.
- ▲ Apply grease to mating surfaces or threads.
- ▲ Torque to 240 in-lb (27.1 N•m).
- ▲ Torque to 225-275 in-lb (25.4-31.1 N•m).
- ▲ Loop large end of lanyard over gauge prior to assembling gauge. Attach small end of lanyard to split ring on pin.
- ▲ Note orientation of u-cup.
- ▲ Torque to 30-50 in-lb (3.4-5.6 N•m).
- ▲ Clean cylinder inner diameter with soft cloth or equivalent, prior to assembly.
- ▲ Hand tighten cylinder (918) and bottom out to housing (901). Back-off cylinder (918) less than 1/2 turn. Assembly pin (908).
- ▲ Press fit bearings.
- ▲ Torque piston rod (910) to top link (926) to 80-100 in-lb (9.0-11.3 N•m).
- ▲ Torque to 20 - 60 in-lb (2.3-6.8 N•m).
- ▲ Snap 902e onto 902a.



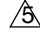


FIG. 37: Catalyst Pump Details

# System Parts

## Systems



ti19056b

-  Loosen grounding lug locknut and washer, insert grounding wire into slot in lug and tighten locknut securely.
-  Apply grease to outer diameter, not to the threads.
-  Torque to 45-55 ft-lb (61-75 N•m).
-  Connect tubing to catalyst pump.
-  Torque to 20-30 ft-lb (27-41 N•m).

## Systems

See **Models** table on page 4 for detailed descriptions of each system number to identify which system number you have. To make reading the table below easier, find your system number in the left-most column then place a straight-edge (such as the edge of a blank piece of paper) below that row of the table. If necessary, use a second straight-edge vertically in the table to identify the part number of each item used in the system.

Ref.	Part	Description	16R001★	16R002★	16R003★	16R004★	16R005★	16R006★	16R009★	16R012★	16R015★	16R018★	16R021★	16R024★	16R027★
102	16N918	WALL OR POLE MOUNT KIT (No Cart)													
	---	CART, for use with boom			1	1						1	1	1	1
	---	CART	1	1			1	1	1	1	1				
103	W13DFC	PUMP, FRP, 13:1	1	1	1	1			1	1	1	1	1	1	1
	W17CFS	PUMP, FRP, 17:1					1	1							
104	111799	SCREW, cap, hex head	6	6	6	6	6	6	6	6	6	6	6	6	6
105	16P125	HARNESS, slave linkage	1	1	1	1	1	1	1	1	1	1	1	1	1
106	119999	BOLT, shoulder	1	1	1	1	1	1	1	1	1	1	1	1	1
107	24M092	PIN, quick release, 1.5 x 0.25	1	1	1	1	1	1	1	1	1	1	1	1	1
108	16N741	PUMP, slave, external mix	1		1		1		1	1	1	1	1	1	1
	16N740	PUMP, slave, internal mix		1		1		1							
109	120476	BOLT, shoulder, 5/16	1	1	1	1	1	1	1	1	1	1	1	1	1
110	111040	NUT, lock, insert, nylock, 5/16	1	1	1	1	1	1	1	1	1	1	1	1	1
111	16M564	LABEL, ratio, 13:1, FRP	1	1	1	1			1	1	1	1	1	1	1
	16M565	LABEL, ratio, 17:1, FRP					1	1							
112◆	16N761	BOOM KIT			1	1						1	1	1	1
113	16U750	PANEL, air control	1	1	1	1	1	1	1	1	1	1	1	1	1
114	113093	FITTING, connector, 1/4 nptf	1	1	1	1	1	1	1	1	1	1	1	1	1
115	114109	FITTING, elbow, male, swivel				1									
	121141	FITTING, elbow, swivel, 3/8t 1/4mnpt		2				2							
	16D939	FITTING, nipple, reducing	1		1		1		1	1	1	1	1	1	1
116	114109	FITTING, elbow, male, swivel	1		1		1		1	1	1	1	1	1	1
	121141	FITTING, elbow, male, swivel				1									
118	---	TUBING, nylon, round		3		3		3							
119◆	238909	WIRE, grounding	1	1	1	1	1	1	1	1	1	1	1	1	1
121	---	TUBE, nylon, round	3	3	3	3	3	3	3	3	3	3	3	3	3
122	124071	PLUG, fitting, push-to-connect	1	1			1	1	1	1	1	1	1	1	1
123◆	16M588	HOSE, bundle, 25 ft external gel	1				1					1			
	16M587	HOSE, bundle, 25 ft internal gel		1				1							
	16M586	HOSE, bundle, 25 ft chop			1	1									
	16M591	HOSE, bundle, 35 ft external gel							1				1		
	16M590	HOSE, bundle, 35 ft internal gel													
	16M589	HOSE, bundle, 35 ft chop													
	16M585	HOSE, bundle, 50 ft external gel								1				1	
	16M584	HOSE, bundle, 50 ft internal gel													
124◆	258970	GUN, external mix, chop, with cutter			1										
	258840	GUN, external mix, gel	1				1		1	1		1	1	1	
	258971	GUN, internal mix, chop, with cutter				1									
	258853	GUN, internal, gel		1				1							
125◆	16M736	SUPPLY HOSE, 55 gallon	1	1	1	1	1	1	1	1	1	1	1	1	1
126◆	16M810	KIT, FRP	1	1	1	1	1	1	1	1	1	1	1	1	1
151◆▲	16D136	LABEL, warnings	1	1	1	1	1	1	1	1	1	1	1	1	1
152	24M692	SPACER, ball joint	1	1	1	1	1	1	1	1	1	1	1	1	1

◆ Item not shown.

▲ Replacement Danger and Warning labels, tags and cards are available at no cost.

Ref.	Part	Description	16R030★	16R033★	16R036★	16R039★	16R044★	16R047★	16R050★	16R053★	16R056★	16R059★	16R062★	16R065★	16R068★	16R071★	16R074★	16R079★	16R082★	16R085★	16R088★	16R091★	16R094★	16R097★	
102	16N918	WALL OR POLE MOUNT KIT (No Cart)	1	1	1	1								1	1	1	1								
	---	CART, for use with boom								1	1	1	1										1	1	1
	---	CART					1	1	1									1	1	1	1				
103	W13DFC	PUMP, FRP, 13:1	1	1	1	1	1	1	1	1	1	1	1	1	1	1	1	1	1	1	1	1	1	1	
	W17CFS	PUMP, FRP, 17:1																							
104	111799	SCREW, cap, hex head	6	6	6	6	6	6	6	6	6	6	6	6	6	6	6	6	6	6	6	6	6	6	
105	16P125	HARNESS, slave linkage	1	1	1	1	1	1	1	1	1	1	1	1	1	1	1	1	1	1	1	1	1	1	
106	119999	BOLT, shoulder	1	1	1	1	1	1	1	1	1	1	1	1	1	1	1	1	1	1	1	1	1	1	
107	24M092	PIN, quick release, 1.5 x 0.25	1	1	1	1	1	1	1	1	1	1	1	1	1	1	1	1	1	1	1	1	1	1	
108	16N741	PUMP, slave, external mix	1	1	1	1												1	1	1	1	1	1	1	
	16N740	PUMP, slave, internal mix					1	1	1	1	1	1	1	1	1	1	1								
109	120476	BOLT, shoulder, 5/16	1	1	1	1	1	1	1	1	1	1	1	1	1	1	1	1	1	1	1	1	1	1	
110	111040	NUT, lock, insert, nylock, 5/16	1	1	1	1	1	1	1	1	1	1	1	1	1	1	1	1	1	1	1	1	1	1	
111	16M564	LABEL, ratio, 13:1, FRP	1	1	1	1	1	1	1	1	1	1	1	1	1	1	1	1	1	1	1	1	1	1	
	16M565	LABEL, ratio, 17:1, FRP																							
112◆	16N761	BOOM KIT									1	1	1	1								1	1	1	
113	16U750	PANEL, air control	1	1	1	1	1	1	1	1	1	1	1	1	1	1	1	1	1	1	1	1	1	1	
114	113093	FITTING, connector, 1/4 nptf	1	1	1	1	1	1	1	1	1	1	1	1	1	1	1	1	1	1	1	1	1	1	
115	114109	FITTING, elbow, male, swivel																							
	121141	FITTING, elbow, swivel, 3/8t 1/4mnpt					2	2	2	2	2	2	2	2	2	2	2								
	16D939	FITTING, nipple, reducing	1	1	1	1												1	1	1	1	1	1	1	
116	114109	FITTING, elbow, male, swivel	1	1	1	1												1	1	1	1	1	1	1	
	121141	FITTING, elbow, male, swivel																							
118	---	TUBING, nylon, round					3	3	3	3	3	3	3	3	3	3	3								
119◆	238909	WIRE, grounding	1	1	1	1	1	1	1	1	1	1	1	1	1	1	1	1	1	1	1	1	1	1	
121	---	TUBE, nylon, round	3	3	3	3	3	3	3	3	3	3	3	3	3	3	3	3	3	3	3	3	3	3	
122	124071	PLUG, fitting, push-to-connect	1	1	1	1	1	1	1	1	1	1	1	1	1	1	1								
123◆	16M588	HOSE, bundle, 25 ft external gel	1																						
	16M587	HOSE, bundle, 25 ft internal gel								1				1											
	16M586	HOSE, bundle, 25 ft chop																			1				
	16M591	HOSE, bundle, 35 ft external gel		1																					
	16M590	HOSE, bundle, 35 ft internal gel					1				1				1										
	16M589	HOSE, bundle, 35 ft chop																1					1		
	16M585	HOSE, bundle, 50 ft external gel			1																				
	16M584	HOSE, bundle, 50 ft internal gel						1				1					1								
	16M583	HOSE, bundle, 50 ft chop																			1			1	
124◆	258970	GUN, external mix, chop, with cutter																1	1		1	1	1		
	258840	GUN, external mix, gel	1	1	1																				
	258971	GUN, internal mix, chop, with cutter																							
	258853	GUN, internal, gel					1	1		1	1	1		1	1	1									
125◆	16M736	SUPPLY HOSE, 55 gallon	1	1	1	1	1	1	1	1	1	1	1	1	1	1	1	1	1	1	1	1	1	1	
126◆	16M810	KIT, FRP	1	1	1	1	1	1	1	1	1	1	1	1	1	1	1	1	1	1	1	1	1	1	
151◆▲	16D136	LABEL, warnings	1	1	1	1	1	1	1	1	1	1	1	1	1	1	1	1	1	1	1	1	1	1	
152	24M692	SPACER, ball joint	1	1	1	1	1	1	1	1	1	1	1	1	1	1	1	1	1	1	1	1	1	1	

◆ Item not shown.

▲ Replacement Danger and Warning labels, tags and cards are available at no cost.



Ref.	Part	Description	16R100★	16R103★	16R106★	16R109★	16R114★	16R117★	16R120★	16R123★	16R126★	16R129★	16R132★	16R135★	16R138★	16R141★	16R144★	16R149★	16R152★	16R155★	16R158★	16R161★	16R164★	16R167★
102	16N918	WALL OR POLE MOUNT KIT (No Cart)	1	1	1	1								1	1	1								
	---	CART, for use with boom									1	1	1								1	1	1	1
	---	CART					1	1	1	1								1	1	1				
103	W13DFC	PUMP, FRP, 13:1	1	1	1	1	1	1	1	1	1	1	1	1	1	1								
	W17CFS	PUMP, FRP, 17:1																1	1	1	1	1	1	1
104	111799	SCREW, cap, hex head	6	6	6	6	6	6	6	6	6	6	6	6	6	6	6	6	6	6	6	6	6	6
105	16P125	HARNESS, slave linkage	1	1	1	1	1	1	1	1	1	1	1	1	1	1	1	1	1	1	1	1	1	1
106	119999	BOLT, shoulder	1	1	1	1	1	1	1	1	1	1	1	1	1	1	1	1	1	1	1	1	1	1
107	24M092	PIN, quick release, 1.5 x 0.25	1	1	1	1	1	1	1	1	1	1	1	1	1	1	1	1	1	1	1	1	1	1
108	16N741	PUMP, slave, external mix	1	1	1	1												1	1	1	1	1	1	1
	16N740	PUMP, slave, internal mix					1	1	1	1	1	1	1	1	1	1								
109	120476	BOLT, shoulder, 5/16	1	1	1	1	1	1	1	1	1	1	1	1	1	1	1	1	1	1	1	1	1	1
110	111040	NUT, lock, insert, nylock, 5/16	1	1	1	1	1	1	1	1	1	1	1	1	1	1	1	1	1	1	1	1	1	1
111	16M564	LABEL, ratio, 13:1, FRP	1	1	1	1	1	1	1	1	1	1	1	1	1	1								
	16M565	LABEL, ratio, 17:1, FRP																1	1	1	1	1	1	1
112◆	16N761	BOOM KIT									1	1	1									1	1	1
113	16U750	PANEL, air control	1	1	1	1	1	1	1	1	1	1	1	1	1	1	1	1	1	1	1	1	1	1
114	113093	FITTING, connector, 1/4 nptf	1	1	1	1	1	1	1	1	1	1	1	1	1	1	1	1	1	1	1	1	1	1
115	114109	FITTING, elbow, male, swivel					1	1	1	1	1	1	1	1	1	1								
	121141	FITTING, elbow, swivel, 3/8t 1/4mnpt																						
	16D939	FITTING, nipple, reducing	1	1	1	1												1	1	1	1	1	1	1
116	114109	FITTING, elbow, male, swivel	1	1	1	1												1	1	1	1	1	1	1
	121141	FITTING, elbow, male, swivel					1	1	1	1	1	1	1	1	1	1								
118	---	TUBING, nylon, round					3	3	3	3	3	3	3	3	3	3	3							
119◆	238909	WIRE, grounding	1	1	1	1	1	1	1	1	1	1	1	1	1	1	1	1	1	1	1	1	1	1
121	---	TUBE, nylon, round	3	3	3	3	3	3	3	3	3	3	3	3	3	3	3	3	3	3	3	3	3	3
122	124071	PLUG, fitting, push-to-connect																1	1	1	1	1	1	1
123◆	16M588	HOSE, bundle, 25 ft external gel																				1		
	16M587	HOSE, bundle, 25 ft internal gel																						
	16M586	HOSE, bundle, 25 ft chop	1						1				1											
	16M591	HOSE, bundle, 35 ft external gel																1					1	
	16M590	HOSE, bundle, 35 ft internal gel																						
	16M589	HOSE, bundle, 35 ft chop		1			1			1				1										
	16M585	HOSE, bundle, 50 ft external gel																	1				1	
	16M584	HOSE, bundle, 50 ft internal gel																						
	16M583	HOSE, bundle, 50 ft chop				1		1			1					1								
124◆	258970	GUN, external mix, chop, with cutter	1	1	1																			
	258840	GUN, external mix, gel																	1	1		1	1	1
	258971	GUN, internal mix, chop, with cutter					1	1		1	1	1		1	1	1								
	258853	GUN, internal, gel																						
125◆	16M736	SUPPLY HOSE, 55 gallon	1	1	1	1	1	1	1	1	1	1	1	1	1	1	1	1	1	1	1	1	1	1
126◆	16M810	KIT, FRP	1	1	1	1	1	1	1	1	1	1	1	1	1	1	1	1	1	1	1	1	1	1
151◆▲	16D136	LABEL, warnings	1	1	1	1	1	1	1	1	1	1	1	1	1	1	1	1	1	1	1	1	1	1
152	24M692	SPACER, ball joint	1	1	1	1	1	1	1	1	1	1	1	1	1	1	1	1	1	1	1	1	1	1

◆ Item not shown.

▲ Replacement Danger and Warning labels, tags and cards are available at no cost.

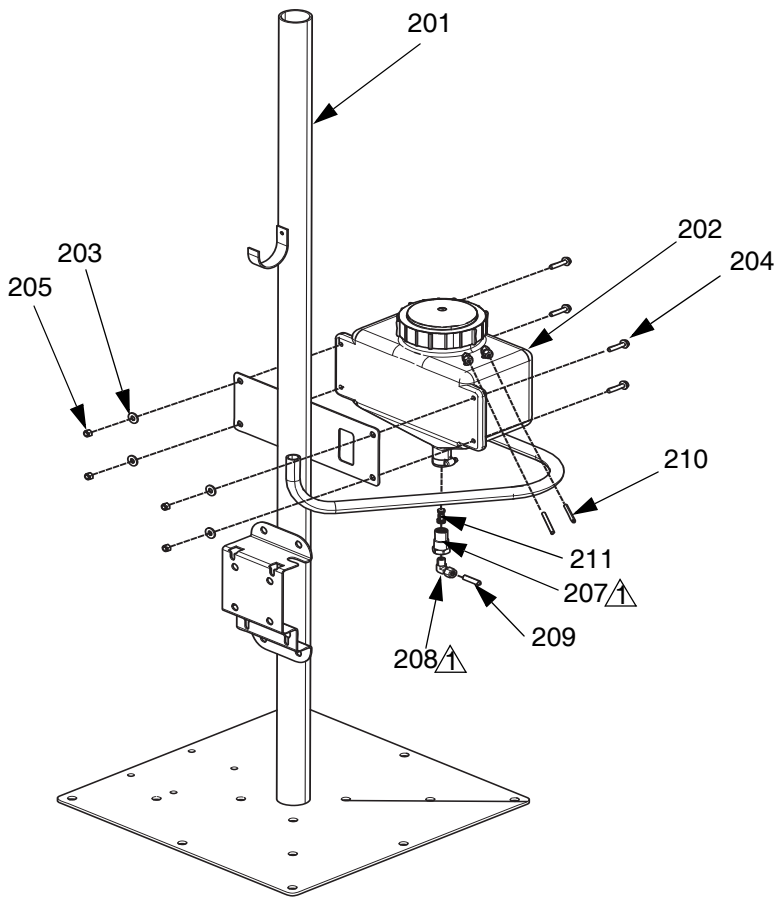
Ref.	Part	Description	16R170★	16R173★	16R176★	16R179★	16R184★	16R187★	16R190★	16R193★	16R196★	16R199★	16R202★	16R205★	16R208★	16R211★	16R214★
102	16N918	WALL OR POLE MOUNT KIT (No Cart)	1	1	1	1											
	---	CART, for use with boom							1	1	1	1					
	---	CART					1	1	1								
103	W13DFC	PUMP, FRP, 13:1															
	W17CFS	PUMP, FRP, 17:1	1	1	1	1	1	1	1	1	1	1	1	1	1	1	1
104	111799	SCREW, cap, hex head	6	6	6	6	6	6	6	6	6	6	6	6	6	6	6
105	16P125	HARNESS, slave linkage	1	1	1	1	1	1	1	1	1	1	1	1	1	1	1
106	119999	BOLT, shoulder	1	1	1	1	1	1	1	1	1	1	1	1	1	1	1
107	24M092	PIN, quick release, 1.5 x 0.25	1	1	1	1	1	1	1	1	1	1	1	1	1	1	1
108	16N741	PUMP, slave, external mix	1	1	1	1											
	16N740	PUMP, slave, internal mix					1	1	1	1	1	1	1	1	1	1	1
109	120476	BOLT, shoulder, 5/16	1	1	1	1	1	1	1	1	1	1	1	1	1	1	1
110	111040	NUT, lock, insert, nylock, 5/16	1	1	1	1	1	1	1	1	1	1	1	1	1	1	1
111	16M564	LABEL, ratio, 13:1, FRP															
	16M565	LABEL, ratio, 17:1, FRP	1	1	1	1	1	1	1	1	1	1	1	1	1	1	1
112◆	16N761	BOOM KIT								1	1	1	1				
113	16U750	PANEL, air control	1	1	1	1	1	1	1	1	1	1	1	1	1	1	1
114	113093	FITTING, connector, 1/4 nptf	1	1	1	1	1	1	1	1	1	1	1	1	1	1	1
115	114109	FITTING, elbow, male, swivel															
	121141	FITTING, elbow, swivel, 3/8t 1/4mnpt					2	2	2	2	2	2	2	2	2	2	2
	16D939	FITTING, nipple, reducing	1	1	1	1											
116	114109	FITTING, elbow, male, swivel	1	1	1	1											
	121141	FITTING, elbow, male, swivel															
118	---	TUBING, nylon, round					3	3	3	3	3	3	3	3	3	3	3
119◆	238909	WIRE, grounding	1	1	1	1	1	1	1	1	1	1	1	1	1	1	1
121	---	TUBE, nylon, round	3	3	3	3	3	3	3	3	3	3	3	3	3	3	3
122	124071	PLUG, fitting, push-to-connect	1	1	1	1	1	1	1	1	1	1	1	1	1	1	1
123◆	16M588	HOSE, bundle, 25 ft external gel	1														
	16M587	HOSE, bundle, 25 ft internal gel								1				1			
	16M586	HOSE, bundle, 25 ft chop															
	16M591	HOSE, bundle, 35 ft external gel		1													
	16M590	HOSE, bundle, 35 ft internal gel					1				1				1		
	16M589	HOSE, bundle, 35 ft chop															
	16M585	HOSE, bundle, 50 ft external gel			1												
	16M584	HOSE, bundle, 50 ft internal gel						1				1				1	
	16M583	HOSE, bundle, 50 ft chop															
124◆	258970	GUN, external mix, chop, with cutter															
	258840	GUN, external mix, gel	1	1	1												
	258971	GUN, internal mix, chop, with cutter															
	258853	GUN, internal, gel					1	1		1	1			1	1	1	
125◆	16M736	SUPPLY HOSE, 55 gallon	1	1	1	1	1	1	1	1	1	1	1	1	1	1	1
126◆	16M810	KIT, FRP	1	1	1	1	1	1	1	1	1	1	1	1	1	1	1
151◆▲	16D136	LABEL, warnings	1	1	1	1	1	1	1	1	1	1	1	1	1	1	1
152	24M692	SPACER, ball joint	1	1	1	1	1	1	1	1	1	1	1	1	1	1	1


◆ Item not shown.

▲ Replacement Danger and Warning labels, tags and cards are available at no cost.

Ref.	Part	Description	16R300	16R301	16R302	16R303	16R304	16R305	16R306	16R307	16R308	16R309	16R310	16R311	24W432★	24W433★	24W434★	24W435★	24W436★	24W437★	24W438★	24W439★	24W440★	
102	16N918		-			-																		
	---				1			1			1			1								1	1	1
	W13DFC			1			1			1			1		1	1	1				1	1	1	1
103	W17CFS																							
	U82037	PUMP, FRP, 9:1	1	1	1	1	1	1	1	1	1	1	1	1										
104	111799		6	6	6	6	6	6	6	6	6	6	6	6	6	6	6	6	6	6	6	6	6	6
105	16P125		1	1	1	1	1	1	1	1	1	1	1	1	1	1	1	1	1	1	1	1	1	1
106	119999		1	1	1	1	1	1	1	1	1	1	1	1	1	1	1	1	1	1	1	1	1	1
107	24M092		1	1	1	1	1	1	1	1	1	1	1	1	1	1	1	1	1	1	1	1	1	1
108	16N741																							
	16N740		1	1	1	1	1	1	1	1	1	1	1	1	1	1	1	1	1	1	1	1	1	1
109	120476		1	1	1	1	1	1	1	1	1	1	1	1	1	1	1	1	1	1	1	1	1	1
110	111040		1	1	1	1	1	1	1	1	1	1	1	1	1	1	1	1	1	1	1	1	1	1
111	16M564														1	1	1	1	1	1	1	1	1	1
	16M565																							
	U60648	Label, ratio, 9:1, FRP	1	1	1	1	1	1	1	1	1	1	1	1										
112◆	16N761																							
113	16U750		1	1	1	1	1	1	1	1	1	1	1	1	1	1	1	1	1	1	1	1	1	1
114	113093		1	1	1	1	1	1	1	1	1	1	1	1	1	1	1	1	1	1	1	1	1	1
115	114109		1	1	1	1	1	1	1	1	1	1	1	1	1	1	1	1	1	1	1	1	1	1
	121141																							
	16D939																							
116	114109																							
	121141		1	1	1	1	1	1	1	1	1	1	1	1	1	1	1	1	1	1	1	1	1	1
118	---		3	3	3	3	3	3	3	3	3	3	3	3	3	3	3	3	3	3	3	3	3	3
119◆	238909		1	1	1	1	1	1	1	1	1	1	1	1	1	1	1	1	1	1	1	1	1	1
121	---		3	3	3	3	3	3	3	3	3	3	3	3	3	3	3	3	3	3	3	3	3	3
122	124071																							
123◆	16M588																							
	16M587																							
	16M586		1	1	1										1			1				1		
	16M591																							
	16M590																							
	16M589					1	1										1		1				1	
	16M585																							
	16M584																							
16M583								1	1	1						1				1			1	
124◆	258970																							
	258840																							
	258971																							
	258853																							
	24P435	GUN, internal mix, chop with cutter, HI FLOW	1	1	1	1	1	1	1	1	1	1	1	1	1	1	1	1	1	1	1	1	1	1
125◆	16M736		1	1	1	1	1	1	1	1	1	1	1	1	1	1	1	1	1	1	1	1	1	1
126◆	16M810		1	1	1	1	1	1	1	1	1	1	1	1	1	1	1	1	1	1	1	1	1	1
151◆▲	16D136		1	1	1	1	1	1	1	1	1	1	1	1	1	1	1	1	1	1	1	1	1	1
152	24M692		1	1	1	1	1	1	1	1	1	1	1	1	1	1	1	1	1	1	1	1	1	1

# Carts



 Apply sealant to threads.

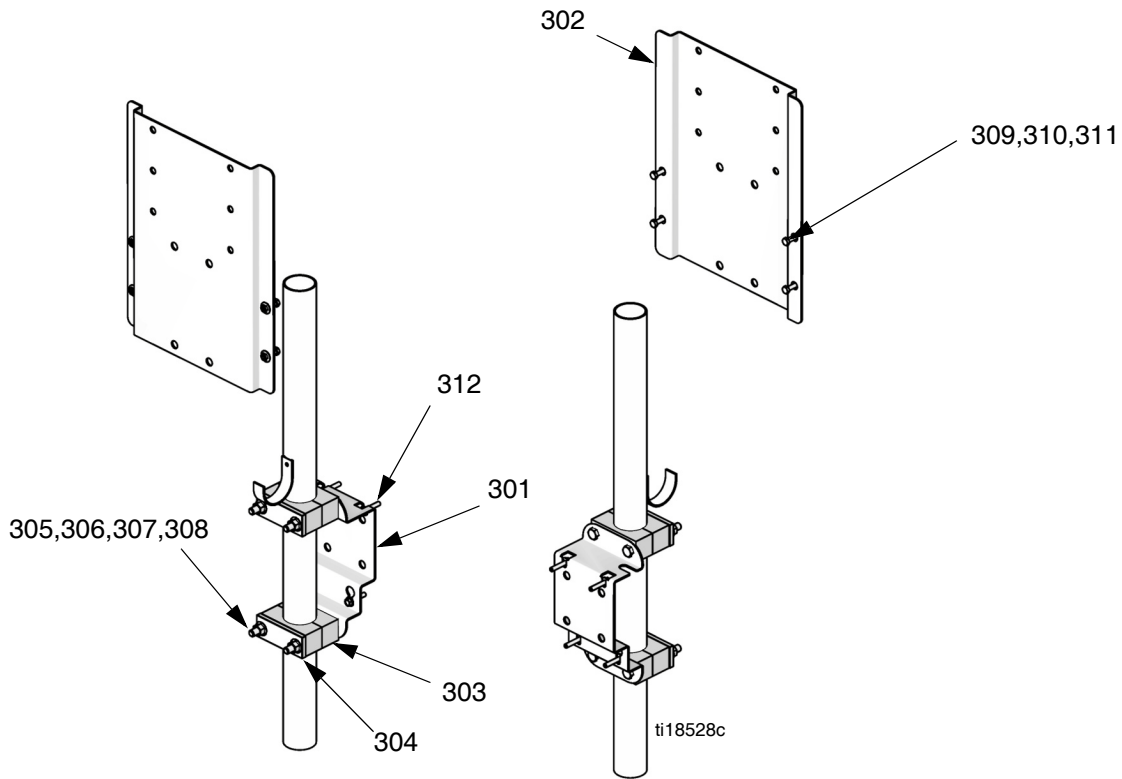
Ref	Part	Description	Quantity	
			Cart, for use with boom	Cart, not for use with boom
201	---	CART, chop	1	
	---	CART, pole		1
202	16P425	RESERVOIR, gravity feed, 2.5 gallon	1	1
203	100023	WASHER, flat	4	4
204	110837	SCREW, flange, hex	4	4
205	111040	NUT, lock, insert, nylock, 5/16	4	4
207◆	16V707	BUSHING, filter, tank	1	1
208◆	20170-00	FITTING, 3/8 tube x 1/4 npt; sst; elbow	1	1
209	---	TUBE, polyethylene, 0.375 OD	1.25	1.25
210	---	TUBE, polyethylene, 0.250 OD	5	5
211◆	16V733	FILTER, tip (3-pack)	1	1
221	16M465	CASTER, locking (not shown)	2	4
222	113962	WASHER (not shown)		4
223	100321	NUT (not shown)		4
224	122051	CASTER, non-locking (not shown)	2	

◆Included in Catalyst Outlet Kit 16N854.



## Wall or Pole Mount Kit, 16N918

**NOTE:** For systems that do not use a cart. Can be used to mount to a wall or pole.

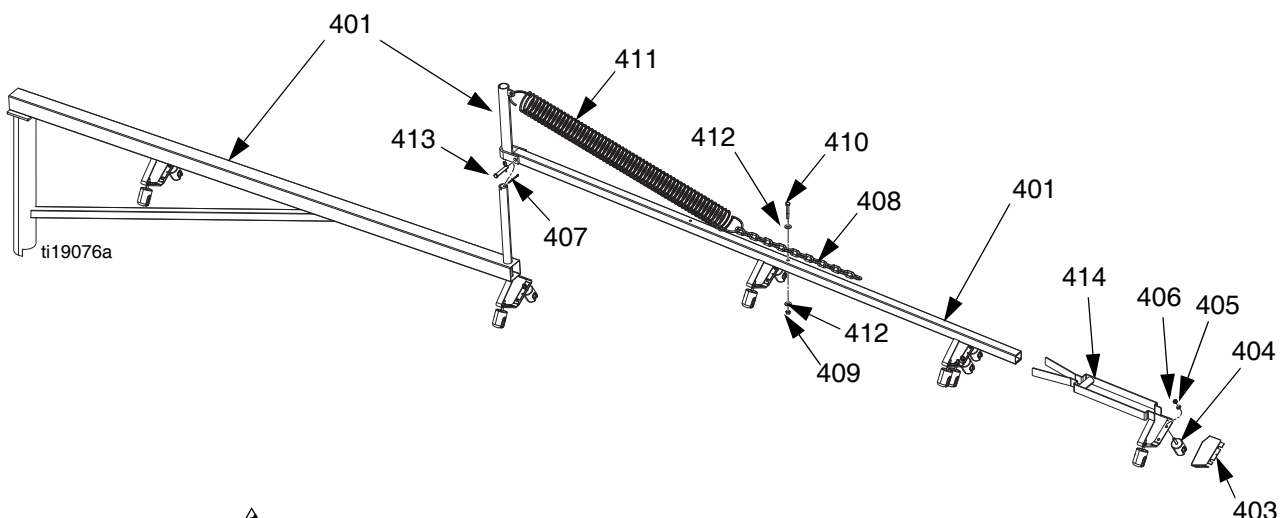



*Pole not included*

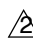
Ref	Part	Description	Qty
301	16M666	BRACKET, pump, pole mount	1
302	16M466	BRACKET, catalyst tank	1
303◆	---	CLAMP, pipe, set	4
304◆	---	PLATE, cover, clamp	4
305◆	---	SCREW, cap, hex head	8
306◆	---	WASHER, hardened, sae	8
307◆	---	NUT	8
308◆	---	WASHER, lock, spring	8
309	110837	SCREW, flange, hex	4
310	100023	WASHER, flat	4
311	111040	NUT, hex	4
312	111799	SCREW, cap, hex head	4

◆ Included in pipe clamp kit 16P291.

## Boom, 16N761



 Item shown for reference only.

 2 in. ID schedule 40 pipe not included.

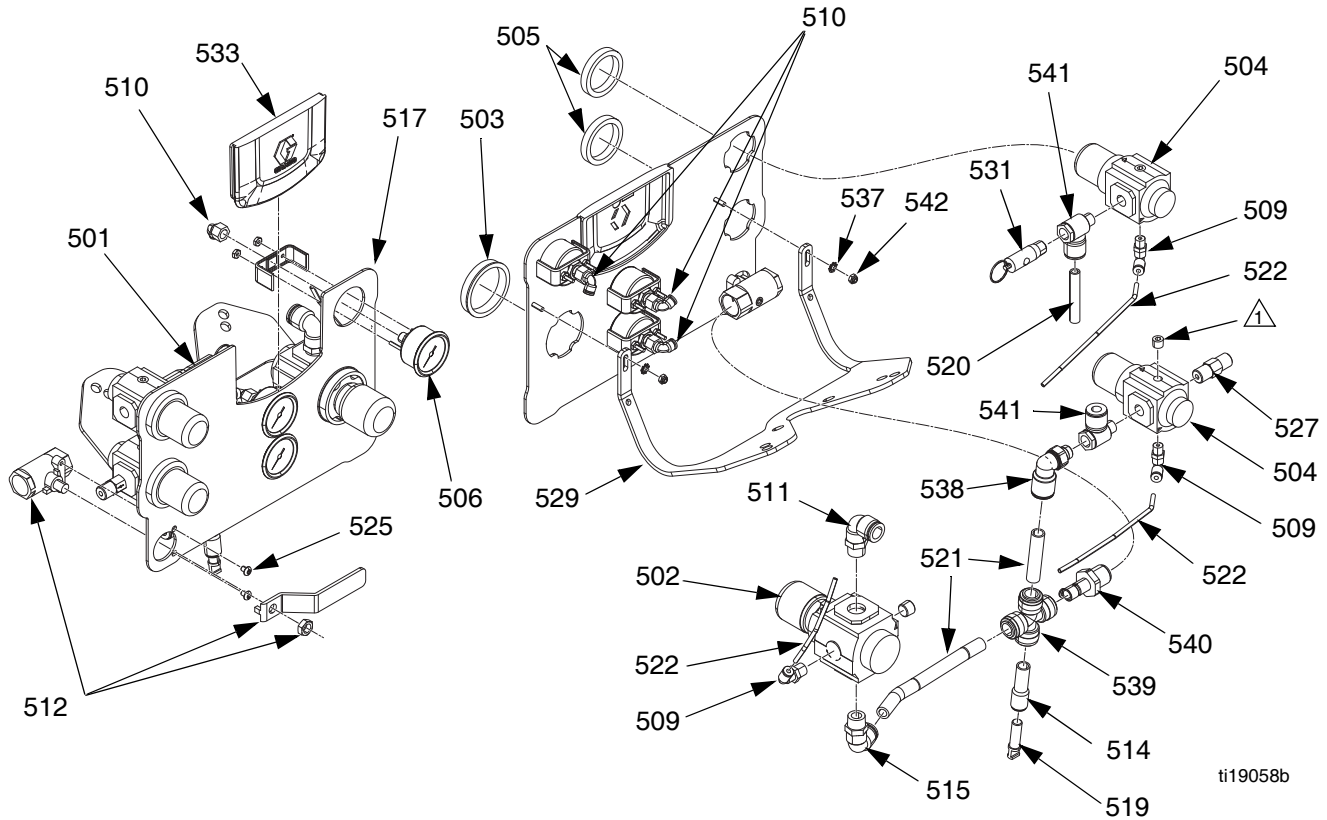
**NOTE:** Use rubber straps to secure gun hoses to boom.

Ref	Part	Description	Qty
401	---	SUPPORT, boom, mast	1
402	◆ 22546-00	STRAP, binding, rubber, reusable	10
403	16M626	COVER, roving, guides	5
404	22486-00	GUIDE, roving, ceramic	12
405	100016	WASHER, lock	12
406	100015	NUT, hex mscr	12
407	100103	PIN, cotter	1
408	16M811	CHAIN, spring, boom	1
409	112248	NUT, hex	1
410	105170	SCREW, cap hex head	1
411	444	SPRING, boom	1
412	555626	WASHER, 1/4 plain flat big	2
413	16M808	PIN, clevis with cotter pin	1
414	16N950	EXTENSION, boom	1

◆ Not shown.

--- Not for sale.

# Air Panel



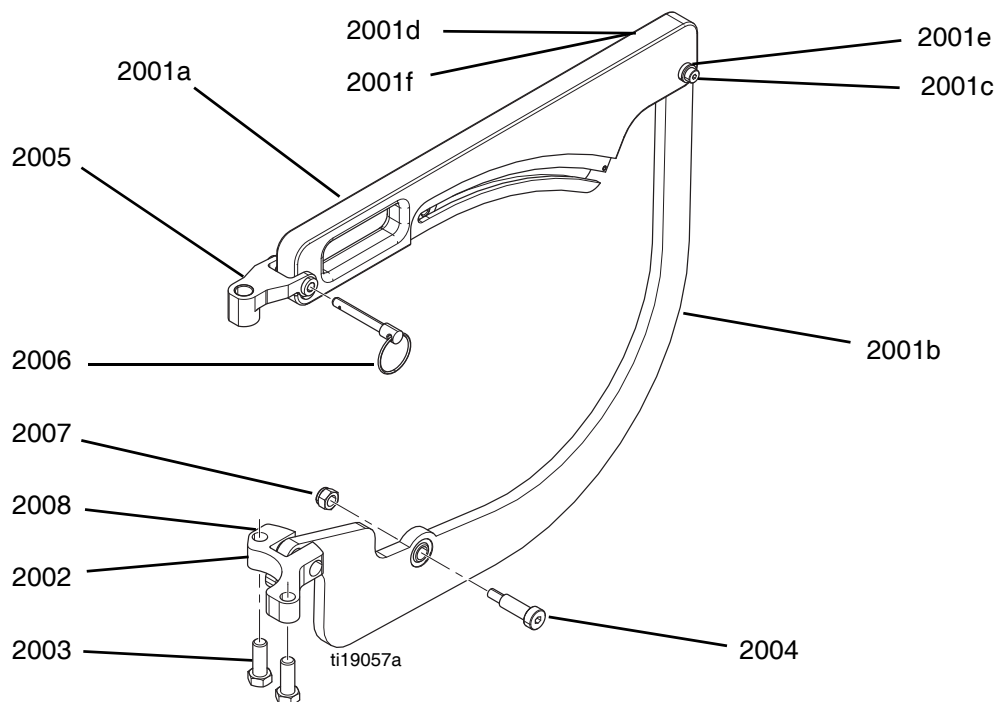
ti19058b

- Plug supplied with regulator (504).
- Apply sealant to all non-swiveling pipe threads.

Ref	Part	Description	Qty	Ref	Part	Description	Qty
501	---	PANEL, air control	1	521	---	TUBE, polyethylene; 1/2 in. OD	0.68
502	15T536	REGULATOR, air, 3/8 npt	1	522	---	TUBE, nylon, round, black	1.37
503	15T538	NUT, regulator	1	525	114381	SCREW, cap, button head	3
504	116513	REGULATOR, air	2	527	124496	VALVE, air check	1
505	116514	NUT, regulator	2	529	---	BRACKET, air control	1
506	15T500	GAUGE, pressure, air, 1/8	3	531	113498	VALVE, safety, 110 psi	1
509	15T866	FITTING, elbow, swivel, 1/8 npt x 5/32 t	2	533	---	INSERT, control panel	1
510	15T498	FITTING, 90°, swivel, 5/32t x 1/8fnpt	3	537	96/0005-	WASHER, lock, ext, #10, ms 2/99	2
511	15T937	FITTING, elbow, male, 1/4 npt(m) x 5/32 OD tube	1	538	16U452	FITTING, elbow, 1/4npt(m) x 1/2 tube	1
512	---	VALVE, ball, 1/2 npt x 1/2 npt	1	539	16U479	FITTING, cross, 1/2 tube, plastic	1
514	---	FITTING, straight, 1/2 x 3/8 tube	1	540	16U480	FITTING, 1/2 stem x 1/2npt(m), plastic	1
515	121212	FITTING, elbow, swivel, 1/2 t x 3/8 npt(m)	2	541	16U481	FITTING, tee, 1/4 npt(m), 3/8 t, 1/4 npt(f)	2
517	16U556	LABEL, air control panel, FRP	1	542	105332	NUT, lock	2
519	124071	PLUG, fitting, push-to-connect	1				
520	---	TUBING, air, 3/8 in. OD; polyurethane	0.18				



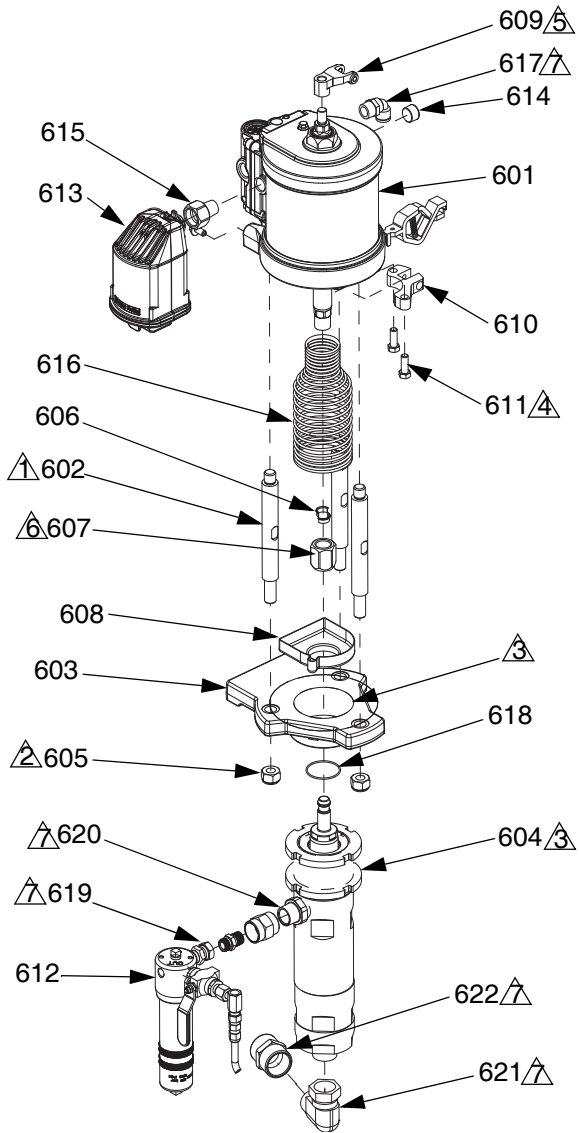
## Slave Pump Linkage, 16P125










Ref	Part	Description	Qty
2001	---	HARNESS, slave linkage	1
2001a	16N776	KIT, upper link, slave	1
2001b	16N775	KIT, lower link, slave	1
2001c	119999	BOLT, shoulder	1
2001d	116969	NUT, lock	1
2001e	7486-05	WASHER, flat, standard, #10	1
2001f	7486-03	WASHER, flat, fender, 1/4	1
2002	16M362	LINK, fixed, pivot	1
2003	116596	SCREW, cap, hex head	2
2004	119999	BOLT, shoulder	1
2005	16N774	LINK, yoke, upper, assy	1
2006	24M092	PIN, quick release, 1.5 x 0.25	1
2007	111040	NUT, lock, insert, nylock, 5/16	1
2008	120476	BOLT, shoulder, 5/16	1

*Ratio Indicator labels (111), 75cc (16M565) and 100cc (16M564), are not included. Purchase separately.*

# Resin Pumplines



-  Torque to 50-55 ft-lb (68-75 N•m).
-  Torque to 50-60 ft-lb (68-101 N•m).
-  Assemble pump (604) to top of pump adapter (603), plus or minus one thread. Packing nut will extend above the surface of pump adapter (603). Torque jam nut to 70-75 ft-lb (95-102- N•m).
-  Torque to 250 in-lb (28.2 N•m)
-  Torque to 70-75 ft-lb (95-102 N•m).
-  Torque to 75-80 ft-lb (102-108 N•m).
-  Apply thread sealant.

Ref	Part	Description	Quantity		
			W13DFC, 13:1	W17CFS, 17:1	U82037, 9:1
601	M07LNL	MOTOR, double ended, 4.5 in.	1	1	1
602*	15M662	ROD, tie	3	3	3
603*	16U435	ADAPTER, displacement pump		1	
	16U426	ADAPTER, displacement pump	1		
	16U428	ADAPTER, displacement pump			1
604	LW100C	PUMP, 100 cc	1		
	LW075S	PUMP, 75 cc		1	
	LW150A	PUMP, 150 cc			1
605*	15U606	NUT, lock, M16 x 2	3	3	3
606*†	24A619	COLLAR, coupling (10 pack)	2	2	2
607*	15T311	NUT, coupler	1	1	1
608*	24A625	RESERVOIR, TSL, 75cc lower (includes 618)		1	
	24A626	RESERVOIR, TSL, 100cc lower (includes 618)	1		
	24A628	RESERVOIR, TSL, 150 cc lower (includes 618)			1
609	16N774	LINK, yoke, upper	1	1	1
610	16M362	LINK, fixed, pivot	1	1	1
611	116596	SCREW, cap, hex head	2	2	2
612	24F620	FILTER, fluid, 5000 psi, 100 mesh	1	1	
	U82200	FILTER, fluid, 5000 psi, 60 mesh			1
613	24D642	MUFFLER	1	1	1
614	100361	PLUG, pipe	1	1	1
615	16M355	FITTING, adapter, muffler, 1/2 npt x 1 in. - 14	1	1	1
616*	16M477	SPRING, guard	1	1	1
617	15V204	FITTING, elbow, 1/2 npt x 1/2 tube	1	1	1
618*†	---	O-RING, wetcup	1	1	1
619	161490	ADAPTER, nipple			1
620	162485	COUPLER, reducing			1
621	123075	FITTING, elvow, 1" nps x 1" npt			1
622	100474	COUPLING			1

\* Included in Connecting Kit. See page 64 to order the correct kit for your pump.

† See **Resin Pumpline Kits** on page 64.

**Resin Pumpline Kits**

<b>Kit Description</b>	<b>LW075S</b>	<b>LW100C</b>	<b>LW150A</b>
<b>Wet-Cup O-Ring (618)</b> Package of 10	24A631	24A632	24P196
<b>Coupling Collars (606)</b> Package of 10	24A619	24A619	24A619
<b>Connecting Kit</b> Includes pump adapter (603), three tie rods (602), three tie rod nuts (605), TSL reservoir (608) and TSL bottle, adapter (603), coupling nut (607), three coupling collars (606), tie rod spring guard (616).	16N242	16N243	17E099

**NOTE:** For **displacement pump repair kits**, see manual 3A2313 or 312792. For **air motor repair kits**, see manual 3A2315.

## **Air Motor and Pump for Resin Pumpline**

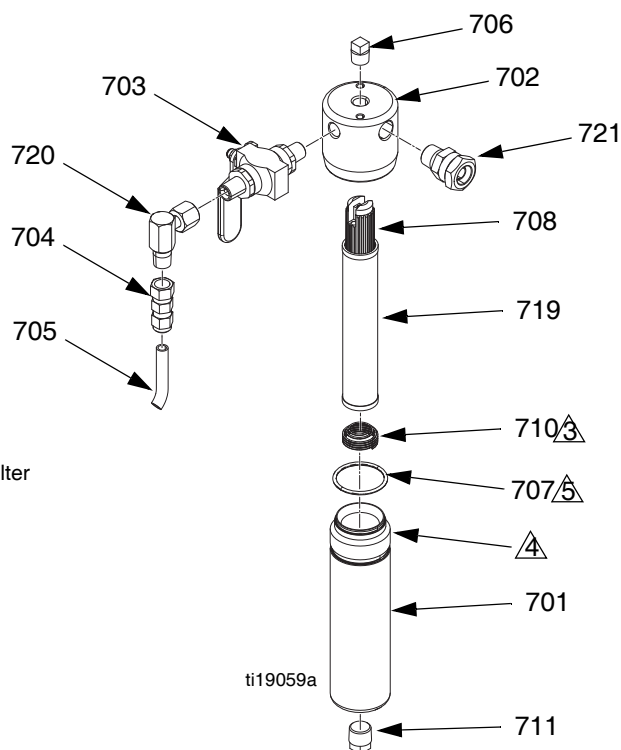
See air motor manual 3A2313 and pump manual 3A2315 for parts identification.

## **Gun**

See RS gun manual 3A0232 for parts identification.

# Resin Filter

24F620 or U82200



③ Press fit spring (710) to bottom of filter bowl (701).

④ Apply thread lubricant.

⑤ Apply grease.

⑥ Apply thread sealant to all non-swiveling pipe threads.

Ref	Part	Description	Qty
701	24C501	BOWL, filter	1
702	171942	HEAD, filter	1
703	238635	VALVE, ball, carbon steel	1
704	205447	COUPLING, hose	1
705	---	HOSE, nylon, 225 psi	7
706	100509	PLUG, pipe	1
707	104361	PACKING, o-ring	1
708	186075	SUPPORT, filter	1
710	171941	SPRING, compression	1
711	100040	PLUG, pipe	1
717▲	172479	TAG, warning (not shown)	1
718	GC2069	FITTING, swivel, 3/8 nptm x 3/8 npsm	1
719	*	STRAINER, 100 mesh screen	1
720	155541	FITTING, swivel, elbow	1
721	155655	UNION, adapter	1

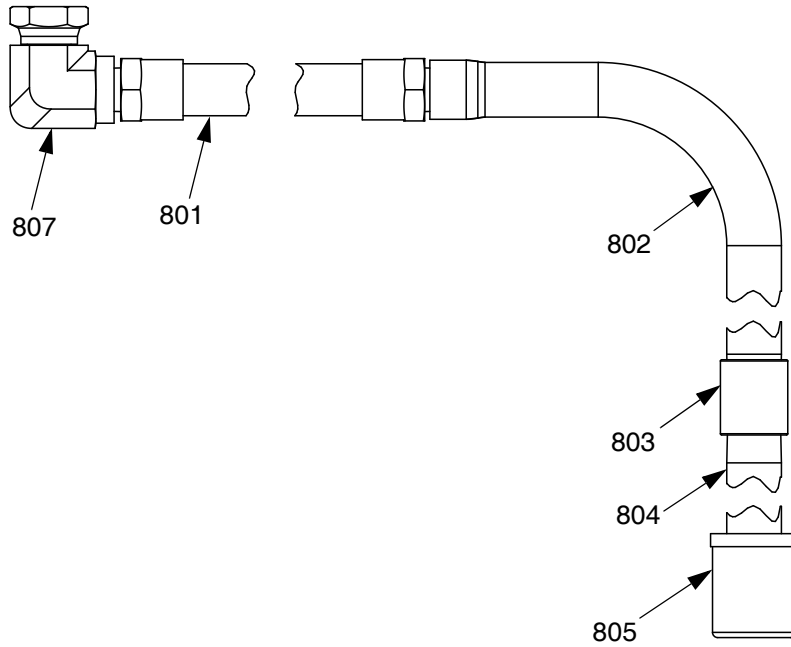
▲ Replacement Danger and Warning labels, tags and cards are available at no cost.

\* Strainer Options:

Mesh	2-pack	25-pack
30	224458	238436
60	224459	238438
100	224468	238440
200	224469	238442

# Resin Supply Hose

16M736



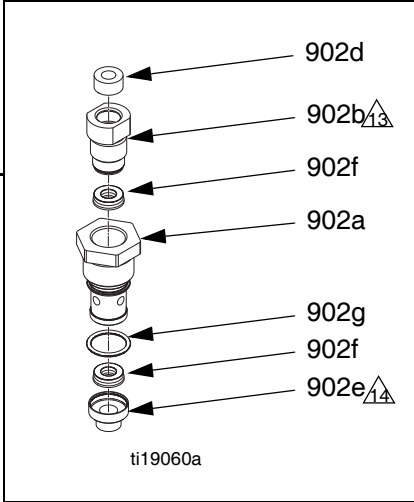
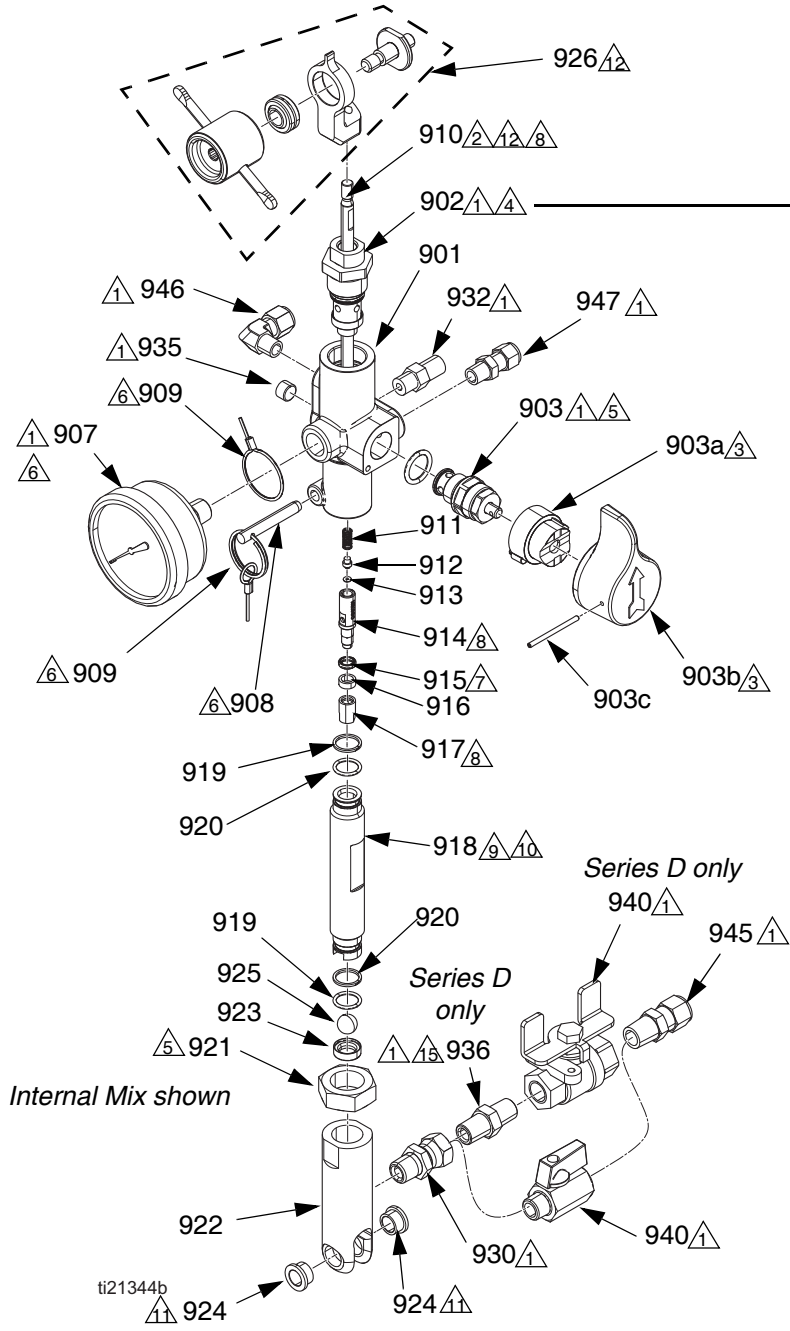
⚠ Apply pipe sealant to all non-swiveling pipe threads.

Ref	Part	Description	Qty
801	220372	HOSE, coupled, 6 ft	1
802	197682	TUBE, suction	1
803	114967	COUPLING, pipe, 1 in.	1
804	195151	TUBE, intake	1
805*	20397-01	FILTER, 24 mesh, 1 in. npt	1
807	16M776	FITTING, elbow, 3/4 npsm x 1 nptf	1

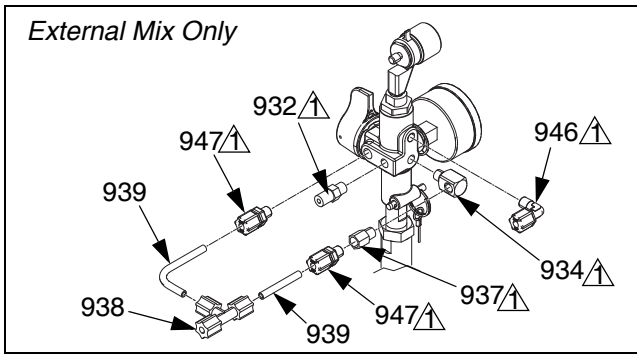
\* Other filter meshes available: 50 mesh (20397-03),  
100 mesh (20397-02)



# Catalyst Slave Pumps



Internal Mix shown



- 1 Apply pipe sealant to threads.
- 2 Apply thread locker to mating surfaces or threads.
- 3 Apply grease to mating surfaces or threads.
- 4 Torque to 240 in-lb (27.1 N•m).
- 5 Torque to 225-275 in-lb (25.4-31.1 N•m).
- 6 Loop large end of lanyard over gauge prior to assembling gauge. Attach small end of lanyard to split ring on pin.
- 7 Note orientation of u-cup.
- 8 Torque to 30-50 in-lb (3.4-5.6 N•m).
- 9 Clean cylinder inner diameter with soft cloth or equivalent, prior to assembly.
- 10 Hand tighten cylinder (918) and bottom out to housing (901). Back-off cylinder (918) less than 1/2 turn. Assembly pin (908).
- 11 Press fit bearings.
- 12 Torque piston rod (910) to top link (926) to 80-100 in-lb (9.0-11.3 N•m).
- 13 Torque to 20 - 60 in-lb (2.3-6.8 N•m).
- 14 Snap 902e onto 902a.
- 15 Orient so inside chamfer of nipple (936) is mated to swivel (930).



## Catalyst Pumps

Ref.	Part	Description	Qty.	
			16N740, for Internal Mix	16N741, for External Mix
901	---	HOUSING, slave pump	1	1
902	24C479	KIT, cartridge, FRP	1	1
902a	---	CARTRIDGE, slave pump	1	1
902b †	---	BEARING, cartridge	1	1
902d †	---	WIPER, felt, piston rod	1	1
902e ❁	16P186	SEAL, snap on, cartridge	1	1
902f ❁	16A981	SEAL, slave pump weep	2	2
902g ❁	123556	O-RING, silicone #016	1	1
903	16N975	VALVE, 3000 psi blow off (also includes 903a, 903b, and 903c)	1	1
903a	224807	BASE, valve	1	1
903b	15C780	HANDLE	1	1
903c	15C972	PIN, spring	1	1
907	113641	GAUGE, pressure, fluid	1	
	124432	GAUGE, 160 psi		1
908	123595	PIN, quick release	1	1
909	124193	CABLE, lanyard, 5 inch	1	1
910	16N964	ROD, piston, slave pump (also includes 919, 920, and tool 16D007)	1	1
911 ★	123636	SPRING, transfer housing	1	1
912 ★	16K928	VALVE, poppet	1	1
913 ★	123934	O-RING, 003, FKM	1	1
914	16K960	HOUSING, transfer, etched	1	1
915 ★	LPA-126	SEAL, radial	1	1
916 ★	LPA-127	GUIDE, piston	1	1
917	16A666	CAP, transfer housing	1	1
918	16N965	CYLINDER, slave pump (also includes 919 [Qty 2] and 920 [Qty 2])	1	1
919 ❁ †	CJ-143	O-RING, o-ring, silicone, 2-014	2	2
920 ❁ †	124061	RING, backup, 0.518 ID, 0.053 wide	2	2
921	LPA-144	NUT, lock	1	1
922	16N976	HOUSING, inlet, slave	1	1
923 †	---	SEAT, ball, 7/16 dia.	1	1
924	---	BEARING, flanged, 0.375 ID	2	2
925	LPA-134-02	BALL, spherical	1	1
926	16N617	KIT, repair, catalyst pump yoke	1	1
930	114339	FITTING, union, swivel, 1/4 npt	1	1
932	123628	FITTING, adapter, 1/8 npt - #4 jic	1	1
934	297085	FITTING, elbow, 0.125 in., st		1

Ref.	Part	Description	Qty.	
			16N740, for Internal Mix	16N741, for External Mix
935	110208	PLUG, pipe, headless	1	
936	94/0320-1/98	FITTING, nipple, 1/4; series D only	1	1
937	124379	VALVE, check, npte x npti, 100 psi		1
938	16V706	FITTING, tee, compression, 1/4		1
939	---	TUBE, polyethylene		0.5
940	24U857	VALVE, ball, mini; not used on series D	1	1
	080803	VALVE, ball, 1/4 npt, ff, 316 sst; series D only	1	1
945	16V703	FITTING, 1/4 npt x 3/8 tube, sst	1	1
946	16V704	FITTING, 1/8 npt x 1/4 tube, 90, sst	1	1
947	16V705	FITTING, 1/8 npt x 1/4 tube, sst	1	2

### Installation Tools (not shown):

*Foot valve seat installation tool, 16N966*

*Foot valve seat deluxe removal tool, 24N253 (includes foot valve seat installation tool, 16N996)*

*Weep seal installation tool, 16N967 ❁*

*Rod Assembly Bullet Installation Tool, 16D007 ❁*

--- *Not for sale.*

† *Parts available in bearing and wiper repair kit 16P185.*

‡ *Parts available in foot valve repair kit 16N961.*

★ *Parts available in piston valve repair kit 16N962.*

❁ *Parts and tools available in throat seal repair kit 16N963.*

*Complete rebuild kit 16N919 includes:*

*-Foot valve repair kit 16N961*

*-Piston valve repair kit 16N962*

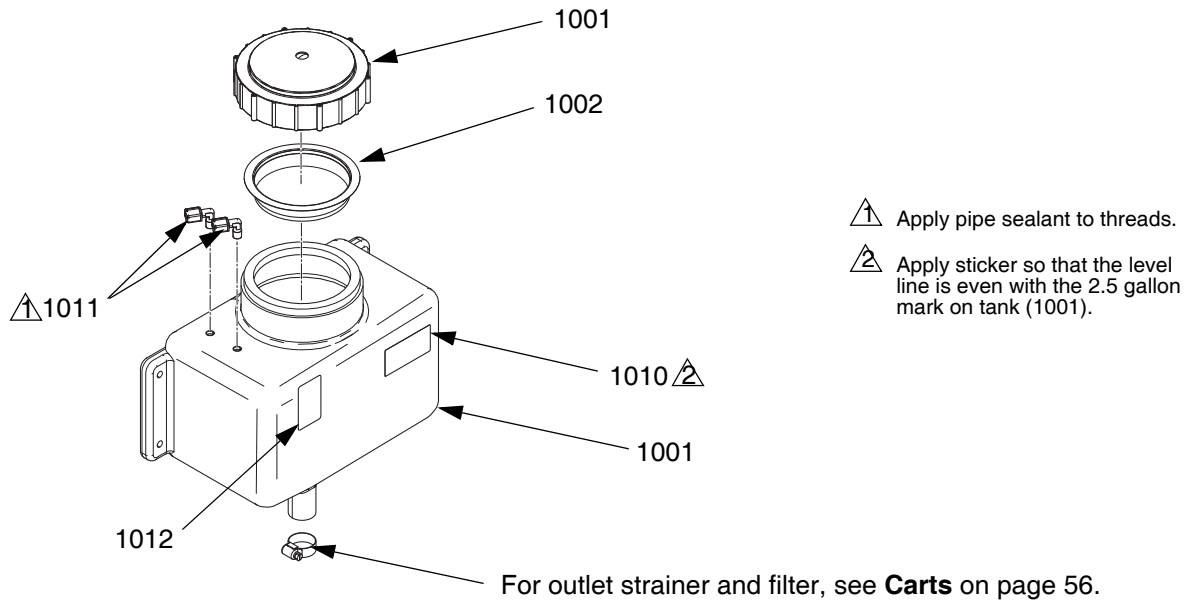
*-Throat seal repair kit 16N963*

*-Foot ball replacement kit LPA-134-02*

*-Bearing with felt wiper 16P185*

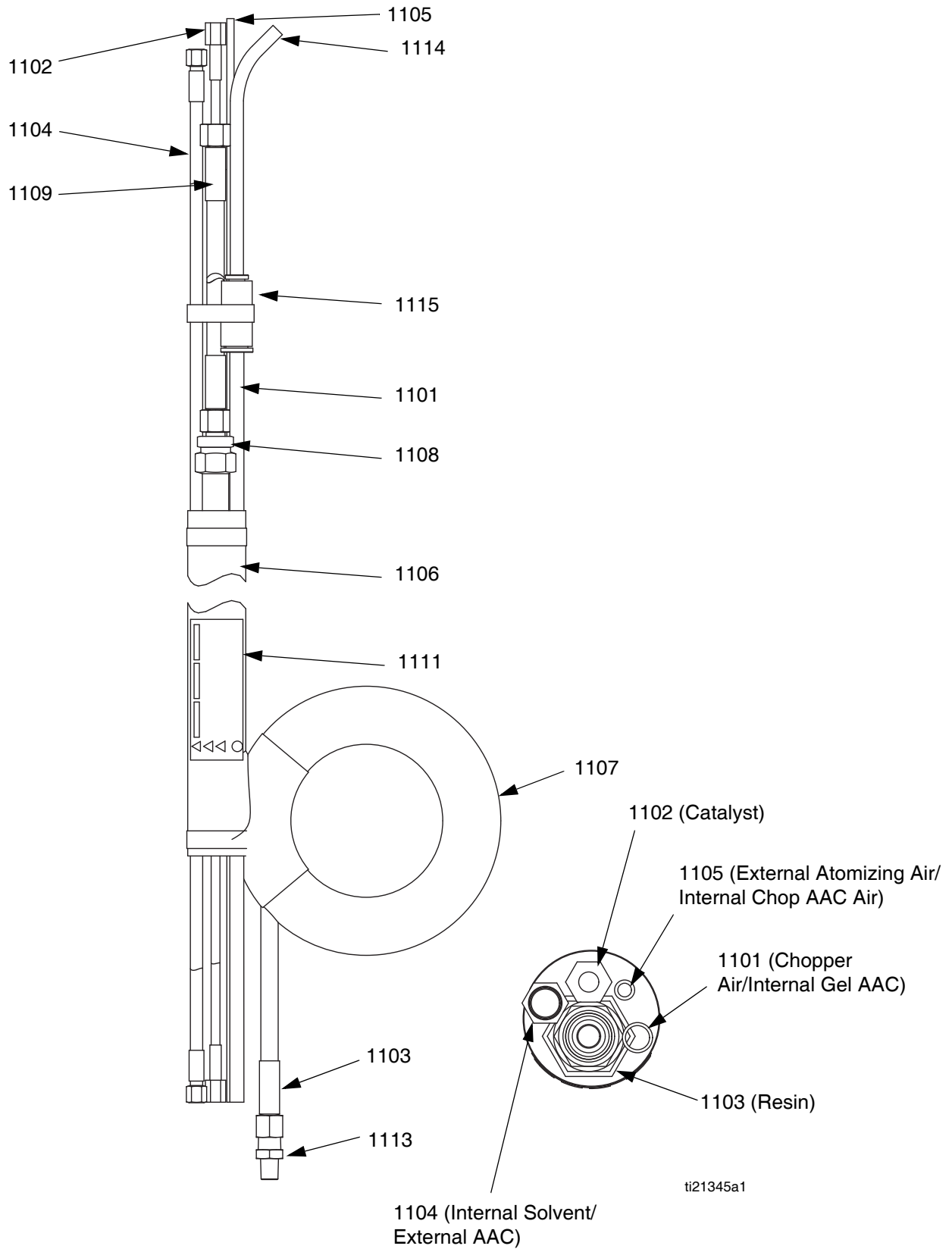
# Catalyst Reservoir

16P425



Ref	Part	Description	Qty
1001	---	TANK, gravity feed, 2.5 gallon	1
1002	24M159	STRAINER, tank, gravity feed	1
1010	16M754	LABEL, maximum fill line	1
1011	16V704	FITTING, 1/8 npt x 1/4 tube, 90; sst	2
1012	16M738	LABEL, hazardous material diamond	1

# Hose Bundles





## Hose Bundles

Ref	Part	Description	Quantity									
			16M583, 50 ft, chop	16M584, 50 ft internal gel	16M585, 50 ft external gel	16M586, 25 ft, chop	16M587, 25 ft, internal gel	16M588, 25 ft, external gel	16M589, 35 ft, chop	16M590, 35 ft, internal gel	16M591, 35 ft, external gel	
1101*	16J767	TUBE, 3/8 in., polyethylene, 28 ft					1					
	16J768	TUBE, 3/8 in., polyethylene, 38 ft									1	
	16J769	TUBE, 3/8 in., polyethylene, 53 ft		1								
	590570	TUBE, 1/2 IN., polyethylene	53 ft			28 ft				35 ft		
1102	24C540	HOSE, coupled, 1/8 in., 3000 psi, 28 ft				1	1	1				
	24C541	HOSE, coupled, 1/8 in., 3000 psi, 53 ft	1	1	1							
	24G429	HOSE, coupled, 1/8 in., 3000 psi, 35 ft							1	1	1	
1103†	240797	HOSE, coupled, 3/8 x 50 ft		1	1		1	1			1	1
	277253	HOSE, coupled, 1/2 in. x 50 ft	1			1			1			
1104	24C543	HOSE, coupled, 1/4 in., nylon, 28 ft				1	1	1				
	24C544	HOSE, coupled, 1/4 in., nylon, 53 ft	1	1	1							
	24G434	HOSE, coupled, 1/4 in., nylon, 40 ft							1	1	1	
1105	---	TUBE, polyethylene, 0.250 outer diameter	53 ft		53 ft	28 ft		28 ft	38 ft			38 ft
1106	124427	JACKET, blue scuff 22ft				2	2	2				
	124428	JACKET, blue scuff 47ft	1	1	1							
	16M599	JACKET, blue scuff 29ft							1	1	1	
1107	16M606	JACKET, blue scuff 15ft							1	1	1	
1108	158256	UNION, swivel	1			1			1			
1109	277249	HOSE, coupled, 1/4 in. x 3 ft, 4000 psi	1	1	1	1	1	1	1	1	1	1
1110◆	744	GUIDE, roving, hose	1			1			1			
1111▲	16D659	LABEL, warning, hose bundle	1	1	1	1	1	1	1	1	1	1
1112	114271	STRAP, retaining				1	1	1	1	1	1	1
1113	123379	FITTING, reducer, 3/8 nptx1/4 npt		1	1		1	1			1	1
	162449	FITTING, nipple, reducing	1			1			1			
1114	520563	TUBE, 3/8 in., polyethylene	2.5 ft			2.5 ft			2.5 ft			
1115	16U657	UNION, 1/2 in. x 3/8 in. OD tubing	1			1			1			

▲ Replacement Danger and Warning labels, tags and cards are available at no cost.

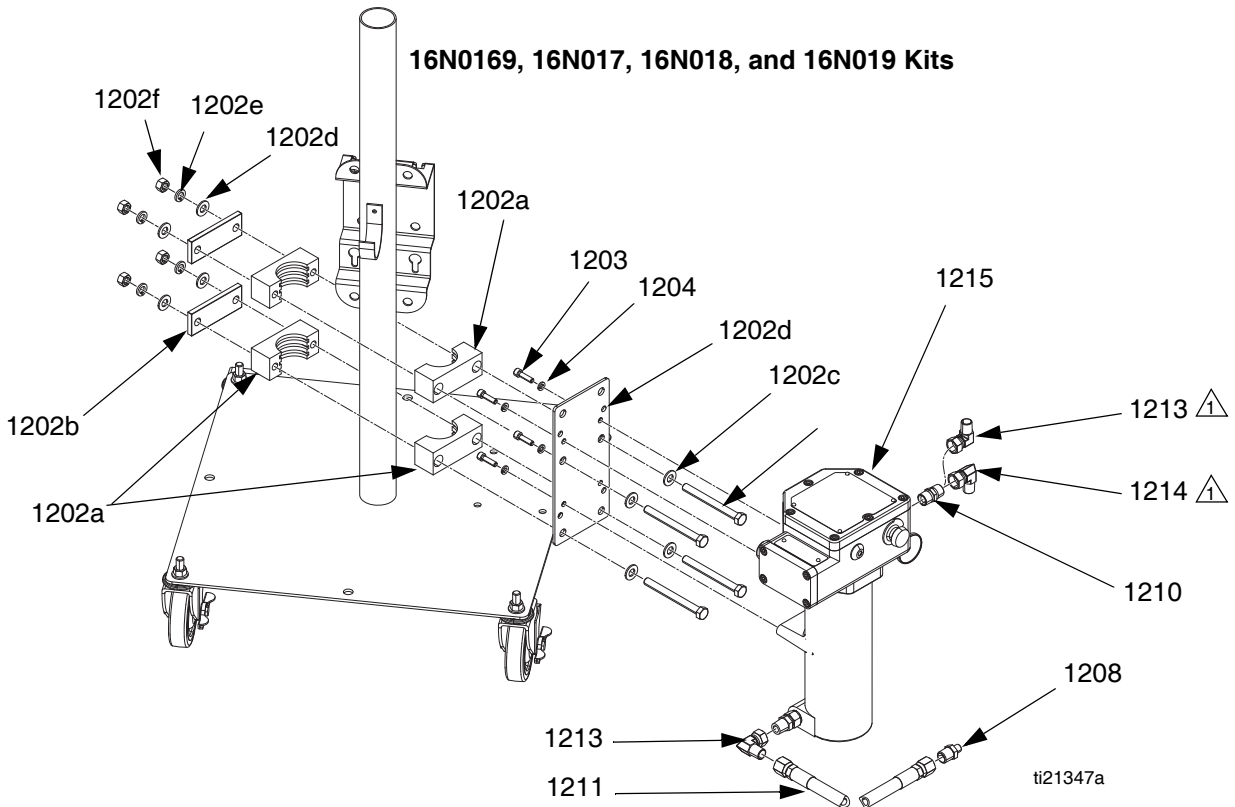
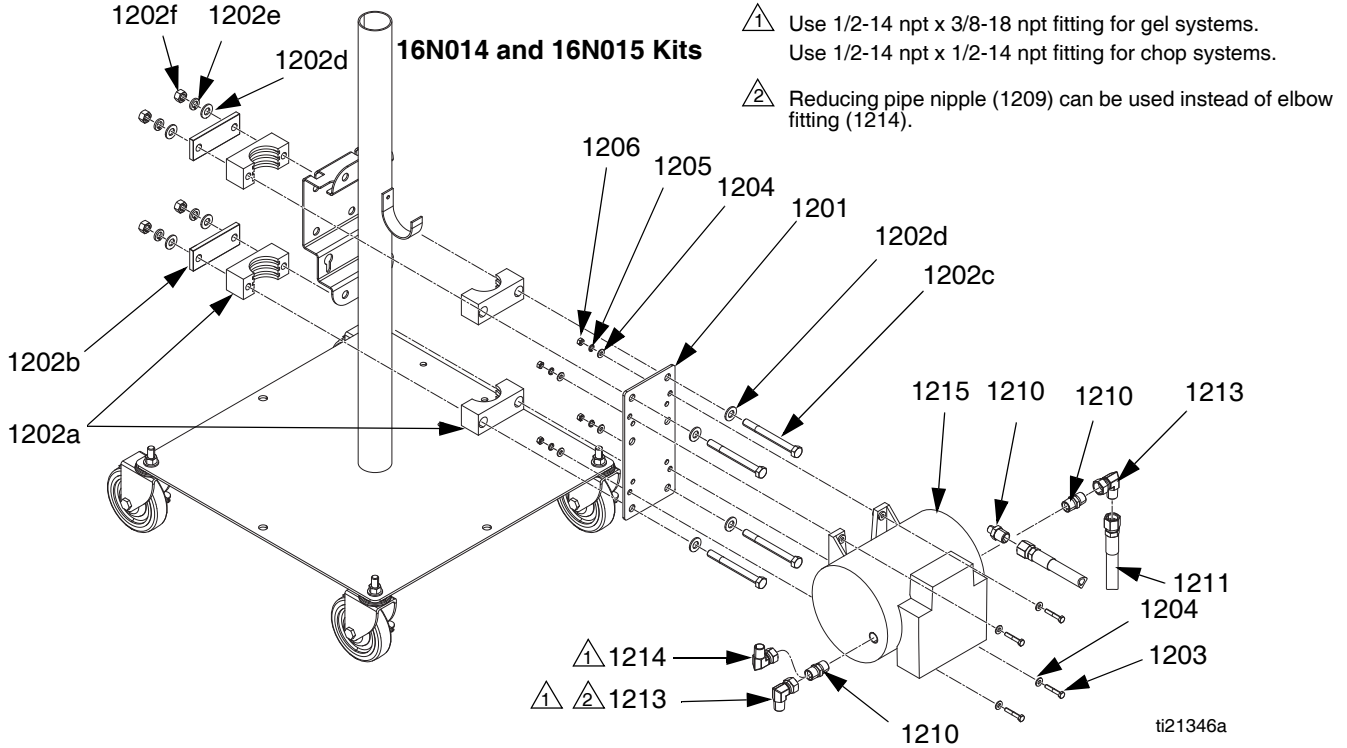
† The 25 ft and 35 ft hose bundles come with 50 ft of resin hose. The extra resin hose is coiled at the factory and is part of the pressure surge suppression system.

\* Series C and prior chop hoses use 16J769. Series D or later chop hoses are shown in the table.

◆ Not shown.

# Accessory Parts

## Heater Kits



## Heater Kits

Ref	Part	Description	Quantity					
			16N014, 120v, FM ★	16N015, 240v, FM ★	16N016, 120v, hazardous	16N017, 240v, hazardous	16N018, 120v, non- hazardous	16N019, 240v, non- hazardous
1201*	16N013	BRACKET, heater	1	1	1	1	1	1
1202*	16P291	KIT, pipe clamp	2	2	2	2	2	2
1202a†	19891-00	CLAMP, pipe, set	1	1	1	1	1	1
1202b†	19892-00	PLATE, cover, clamp	1	1	1	1	1	1
1202c†	115211	SCREW, cap, hex hd	2	2	2	2	2	2
1202d†	113962	WASHER, hardened	4	4	4	4	4	4
1202e†	100018	WASHER, lock, spring	2	2	2	2	2	2
1202f†	100321	NUT	2	2	2	2	2	2
1203*	100058	SCREW, cap, hex head	4	4	4	4	4	4
1204*	110755	WASHER, plain	8	8	8	8	8	8
1205*	100131	WASHER, lock	4	4	4	4	4	4
1206*	100015	NUT, hex, mscr	4	4	4	4	4	4
1208*	162449	NIPPLE, reducing	1	1	1	1	1	1
1209*	159239	NIPPLE, pipe, reducing	1	1	1	1	1	1
1210*	158491	NIPPLE	2	2	2	2	2	2
1211*	H55003	HOSE, coupled, 5600 psi	1	1	1	1	1	1
1212*	---	TAPE, PTFE	1	1	1	1	1	1
1213*	155470	SWIVEL, union, 90°; 1/2 x 1/2 npt	2	2	2	2	2	2
1214*	217430	SWIVEL, union, 90°; 1/2 x 3/8 npt	1	1	1	1	1	1
1215	245848	HEATER, viscon HP			1			
	245863	HEATER, viscon HP				1		
	245867	HEATER, viscon HP					1	
	245869	HEATER, viscon HP						1
	226819	HEATER, viscon, 240 volt		1				
	226816	HEATER, viscon, 120 volt	1					

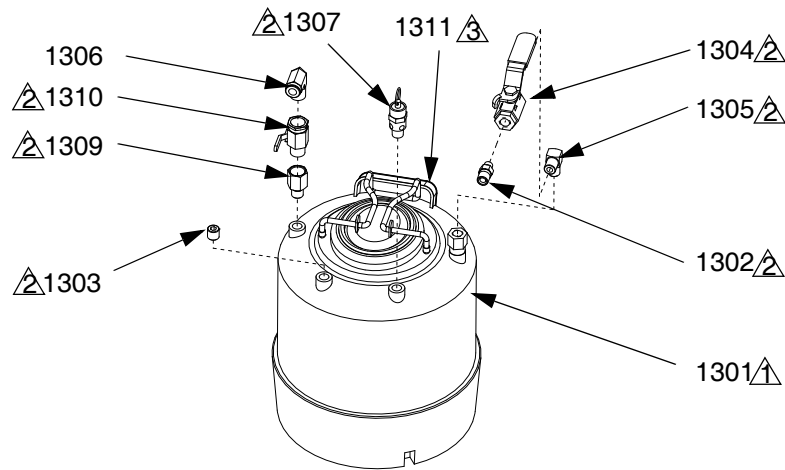
\* Items are available in heater hardware kit 16N119.


† Parts available in pipe clamp kit 16P291.


★ Heaters can be disassembled to remove cured material.


## Solvent Pressure Pot Kits

### ASME Pressure Pots, 2-gallon 16M893 and 5-gallon 16M894



 To assemble strainer (1311), remove the dip tube from tank (1301). Slide strainer onto bottom end of dip tube. Hold strainer in place while positioning dip tube. Strainer should be secure on tube and pressed to bottom of tank. Tighten dip tube in place. Strainer not shown.

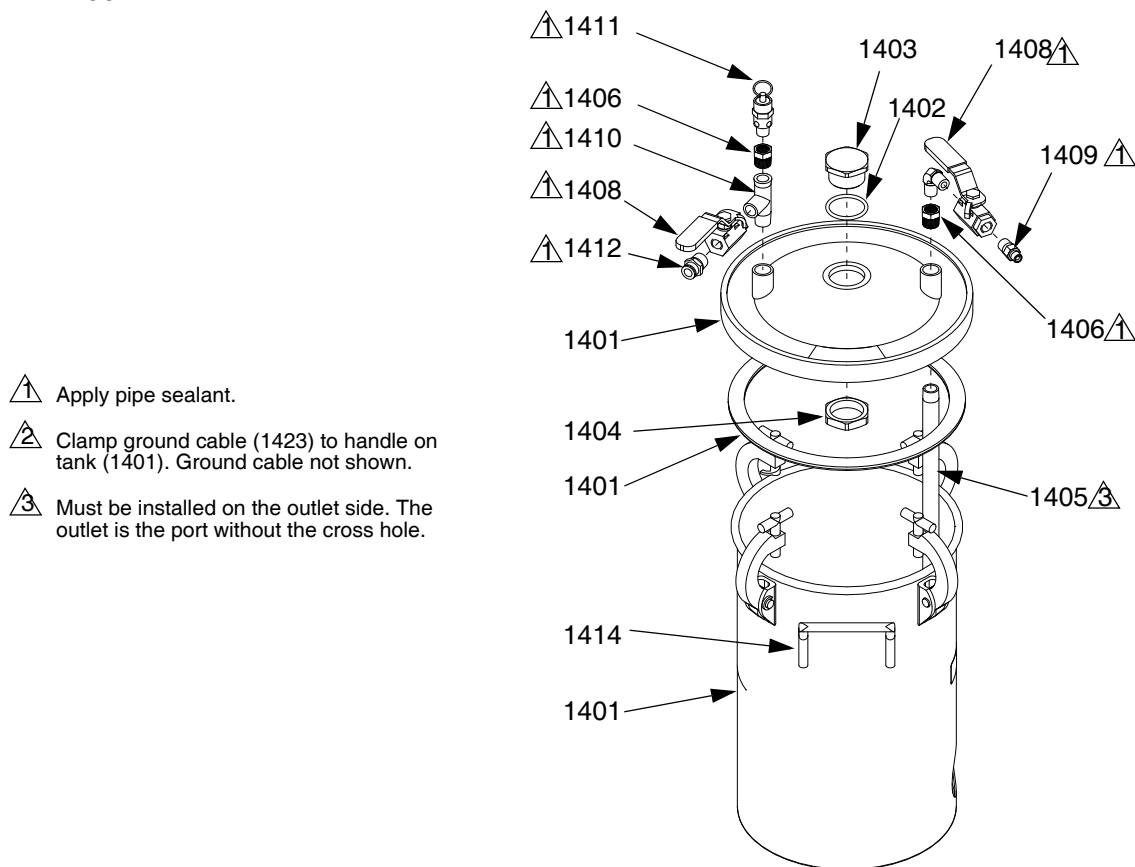
 Apply pipe sealant.

 Clamp ground cable (1311) to handle on tank (1101). Ground cable not shown.

Ref	Part	Description	Qty
1301	20324-00	TANK, solvent, 2 gallon (assembly 16M893 only)	1
	20324-01	TANK, solvent, 5 gallon (assembly 16M894 only)	1
1302	16D939	FITTING, nipple, reducing	1
1303	11021-23	PLUG, pipe, 1/4	1
1304	18470-05	VALVE, ball, 2-way, 1/4nptf	1
1305	RM-856-04	FITTING, elbow, 1/4 nptm x 1/4 nptm	1
1306	20655-04	FITTING, elbow, 3/8 nptm x 3/8 tube	1
1307	103347	VALVE, safety, 100 psi	1
1308	21035-00	STRAINER, pick-up, material	1
1309	21462-01	FITTING, adapter, 1/4 nptm x 3/8 nptf	1
1310	3165	VALVE, ball, 2-way, 3/8 female, 3/8 male	1
1311	17440-00	CLAMP, grounding	1



**ASME and CE-Approved Pressure Pots, 16M874 and 16M875**

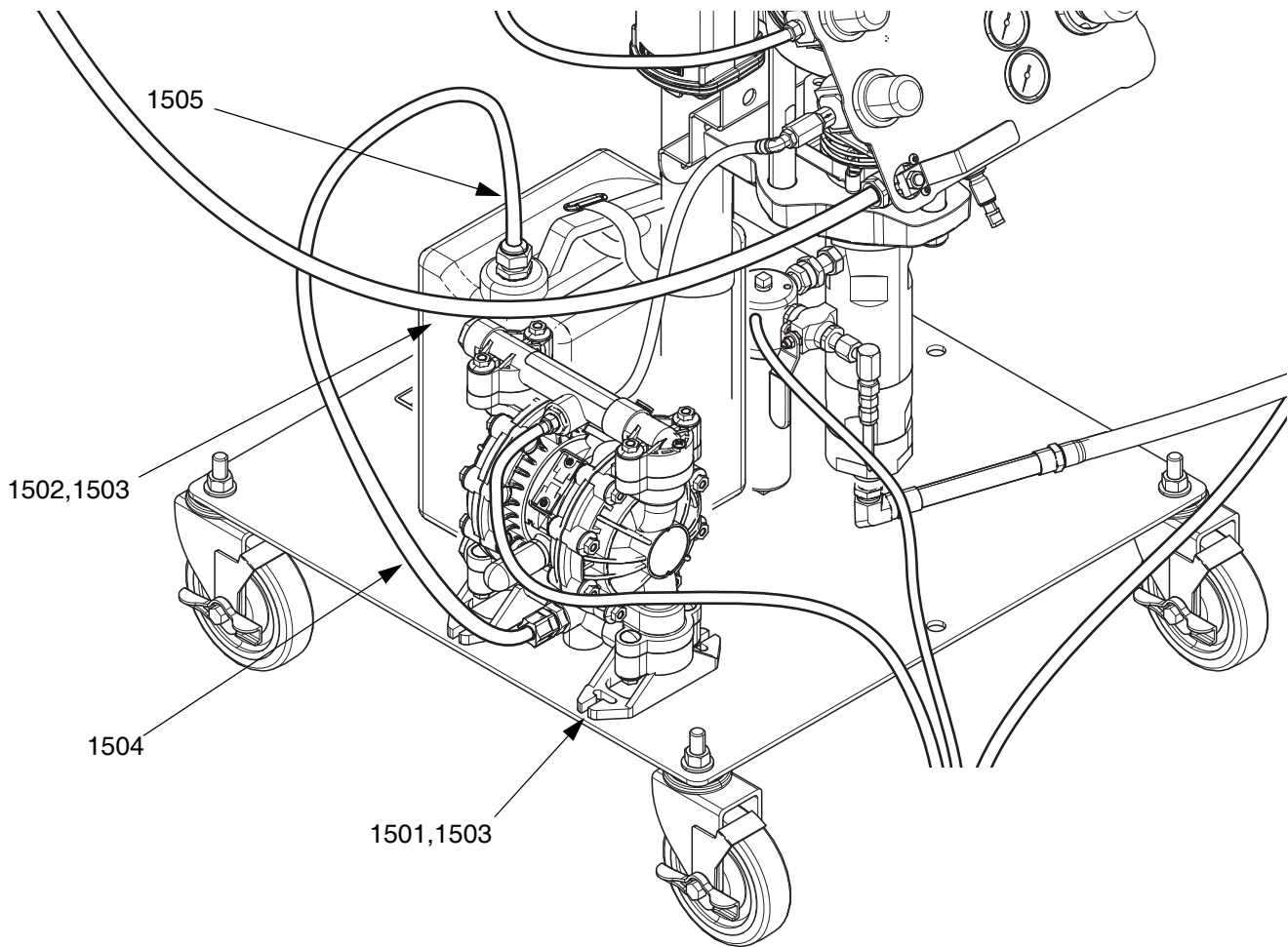


- ▲ Apply pipe sealant.
- ▲2 Clamp ground cable (1423) to handle on tank (1401). Ground cable not shown.
- ▲3 Must be installed on the outlet side. The outlet is the port without the cross hole.

Ref	Part	Description	Qty	Ref	Part	Description	Qty
1401	236086	TANK, pressure assy, 2 gal. (assembly 16M874 only)	1	1415	---	LABEL, designation	1
	236087	TANK, pressure assy, 5 gal. (assembly 16M875 only)	1	1416▲	175078	LABEL, warning	1
1402	165053	PACKING, o-ring	1	1421	308370	MANUAL	1
1403	188880	PLUG, lid	1	1423	17440-00	CLAMP, grounding	1
1404	188784	NUT, jam, hex	1	1424	171988	O-RING (for filler cap, item 1413, not shown)	1
1405	171976	TUBE (assembly 16M875 only)	1	▲ Replacement Danger and Warning labels, tags and cards are available at no cost.			
	185531	TUBE, siphon (assembly 16M874 only)	1				
1406	---	BUSHING, hex, 3/8npt x 1/4npt, male/female	2				
1407	111763	FITTING, elbow, 1/4 npt	1				
1408	18470-05	VALVE, ball, 2-way, 1/4nptf	2				
1409	---	FITTING, nipple, reducing	1				
1410	108673	TEE, street	1				
1411	103347	VALVE, safety, 100 psi	1				
1412	---	FITTING, connector, male, 3/8 npt	1				
1413	210575	CAP, filler (assembly 16M875 only, not shown)	1				
1414	176347	LABEL, identification	1				

# Solvent Diaphragm Pumps

2-gallon 16M560 and 5-gallon 16M561

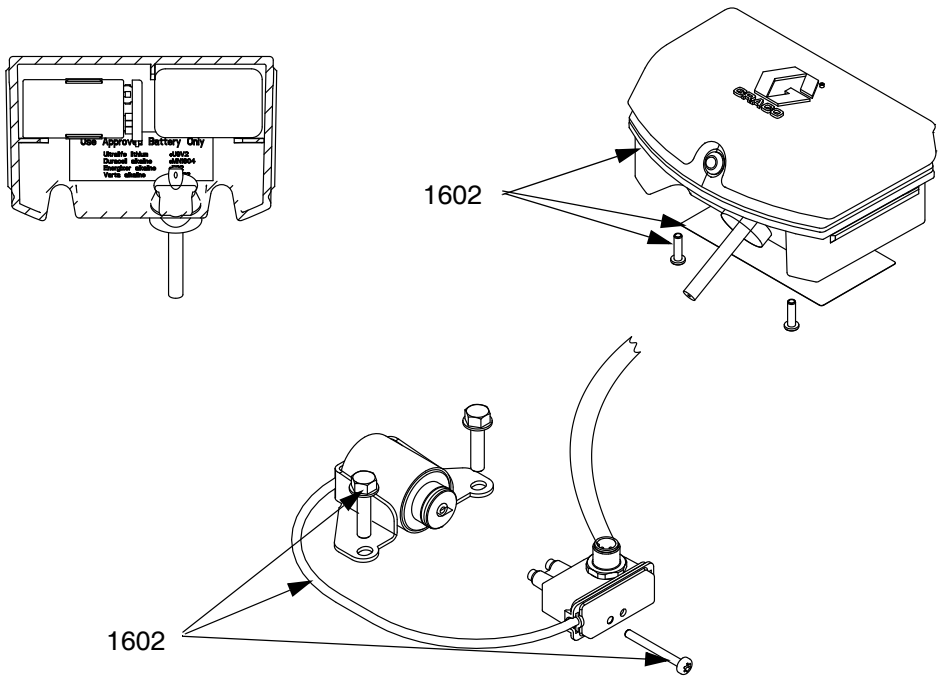


*Base System shown for reference only*

Ref	Part	Description	Qty
1501	16M559	PUMP, solvent, FRP, flush	1
1502	16M652	TANK, solvent, 2.5 gal assembly	1
	16M651	TANK, solvent, 5 gal assembly	1
		(assembly 16M560 only)	
		(assembly 16M561 only)	
1503	16M769	KIT, pump fasteners	1
1504	---	TUBING, nylon, round	3
1505	16N891	KIT, pick-up tube, 2.5 gallon	1
		(16M560 only)	
	16N892	KIT, pick-up tube, 5 gallon	1
		(16M561 only)	

# DataTrak Upgrade Kit

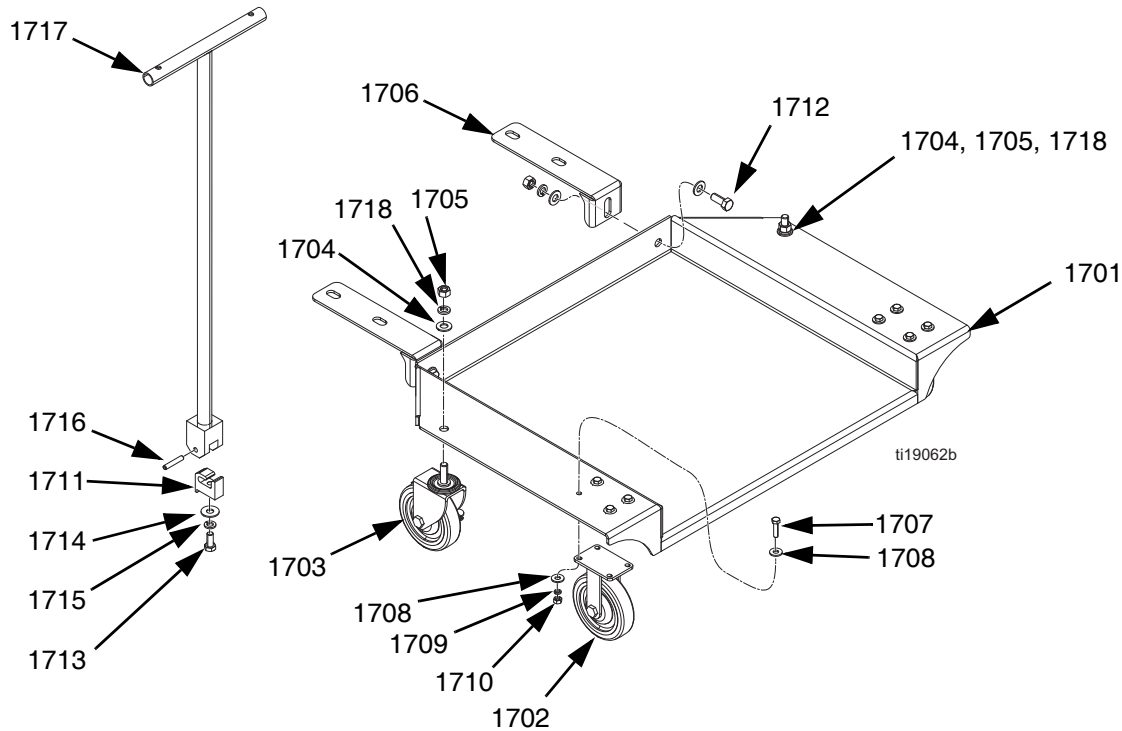
16M881



Ref	Part	Description	Qty
1601 *	24A354	SMART AIR VALVE (not shown)	1
1602	24A576	DATATRAK CONVERSION KIT	1

\* See FRP air motor manual.

## Carts for 55 Gallon Barrel, 16M896

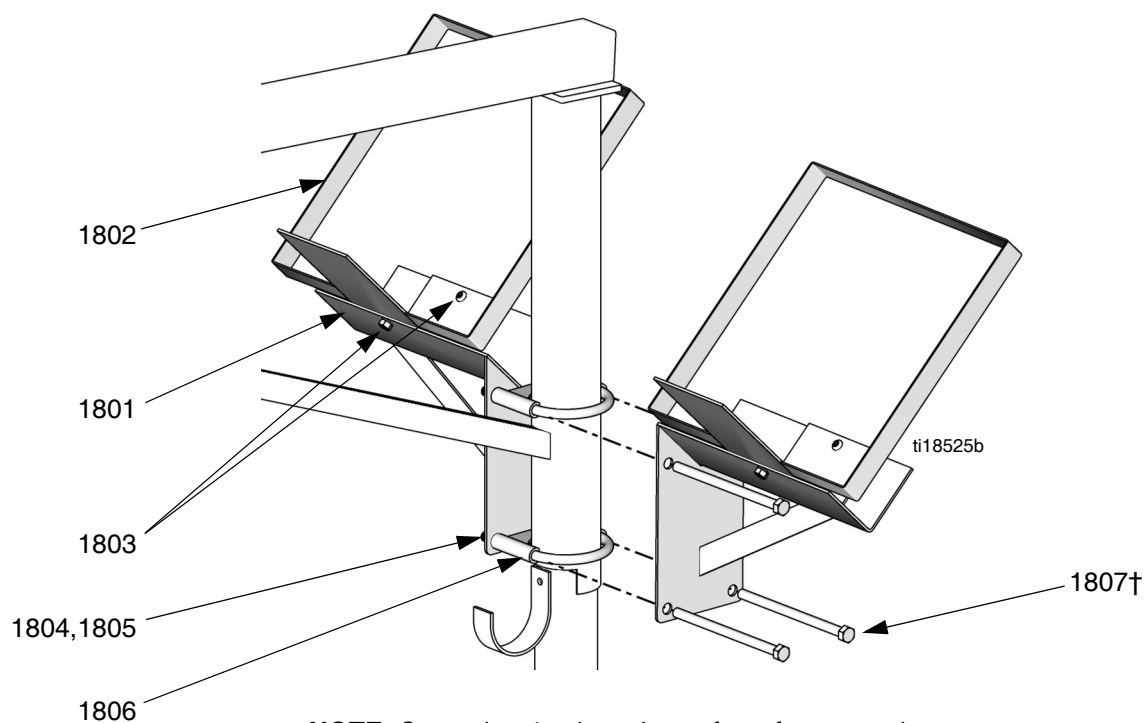


Ref	Part	Description	Qty
1701	---	PLATE, 55 gal drum	1
1702	16P134	CASTER, rigid	2
1703	16M465	CASTER, locking	2
1704	113962	WASHER, hardened, sae	6
1705	100321	NUT	4
1706	16N977	BRACKET, drum cart	2
1707	100521	SCREW, cap hex head	8
1708	100023	WASHER, flat	16
1709	104008	WASHER, lock, spring	8
1710	GC2096	NUT, hex, standard, 5/16-18	8
1711	16N978	BRACKET, handle, drum cart	1
1712	100424	SCREW, cap, hex head	2
1713	116645	SCREW, cap, hex head	1
1714	100696	WASHER, wrought	1
1715	100052	WASHER, lock	1
1716	124291	PIN, spring	1
1717	258982	HANDLE, cart	1
1718	100018	WASHER, lock, spring	4

--- Not for sale.

## Roving Box Bracket

16M961

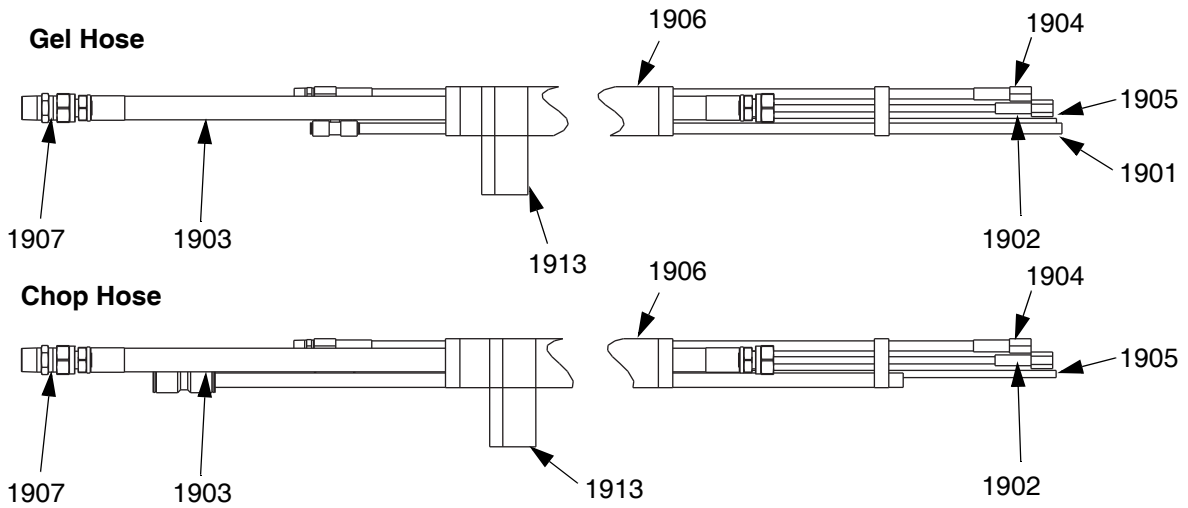


**NOTE:** Second roving box shown for reference only to illustrate installation.

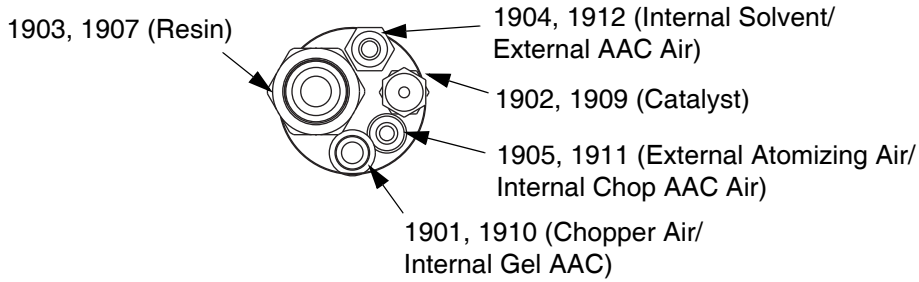
Ref	Part	Description	Qty
1801	16M619	BRACKET, roving	1
1802	16M622	BRACE, roving box	1
1803	122741	SCREW, hex cap, 1/4 x 0.50	2
1804	104123	WASHER, lock, spring	2
1805	112248	NUT, hex	2
1806	16M965	CLAMP, u-bolt	2
1807†	15J889	SCREW, hex	2

† Long bolts are only used if two kits will be installed side by side.

# Extension Hoses



ti21348a



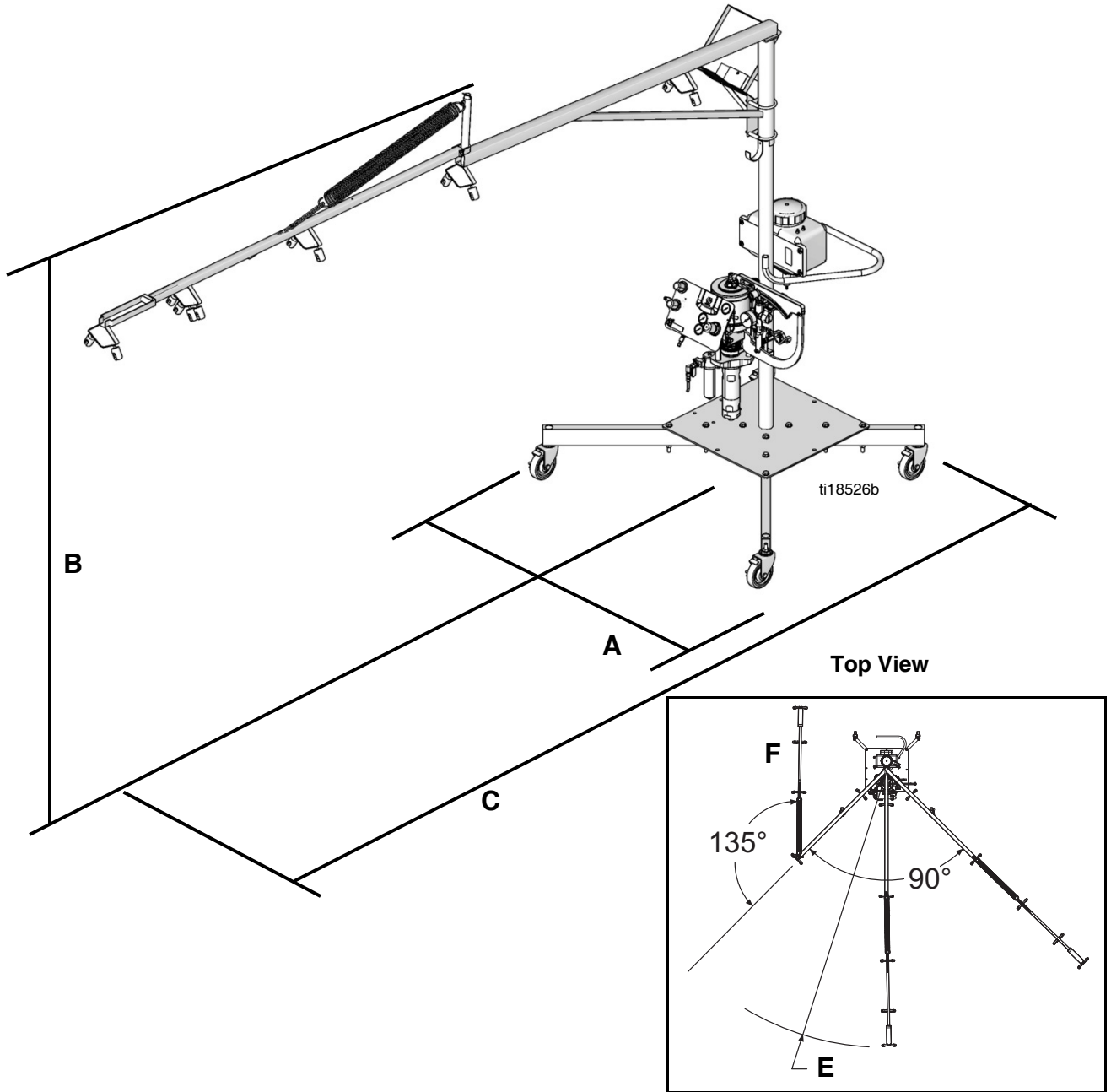
Ref	Part	Description	Quantity		
			16M712, for chop systems	16M718, for internal gel	16M719, for external gel
1901	16J766	TUBE, 3/8 in. polyethylene, 25 ft		1	
	590570	TUBE, 1/2 in. polyethylene	25.5 ft		
1902	24J730	HOSE, coupled, 1/8 in., 3000 psi, 25 ft	1	1	1
	240796	HOSE, coupled, 3/8 x 25'		1	1
1903	16M731	HOSE, coupled, 1/2 in. x 25', 4000 psi	1		
	24J731	HOSE, coupled, 1/4 in., nylon, 25 ft	1	1	1
1904	---	TUBE, polyethylene, 1/4 in. OD	25 ft		25 ft
1905	124427	JACKET, blue scuff, 22 ft	1	1	1
1906	158256	UNION, swivel	1		
1907	744	GUIDE, roving, hose (not shown)	1		
1908	123553	FITTING, nipple, #4 JIC	1	1	1
1909*	123554	COUPLER, 3/8 in. OD tubing		1	
	16U953	COUPLER, 1/2 in. OD tubing	1		
1910*	123789	COUPLER, 1/4 in. OD tubing	1		1
1911	123552	FITTING, nipple, 1/8 npt	1	1	1
1912	16D659	LABEL, warning, hose bundle	1	1	1
1913▲					

▲ Replacement Danger and Warning labels, tags and cards are available at no cost.

\* Series C and prior chop hoses use 123554. Series D or later chop hoses are shown in the table.

# Dimensions

## Cart and Boom

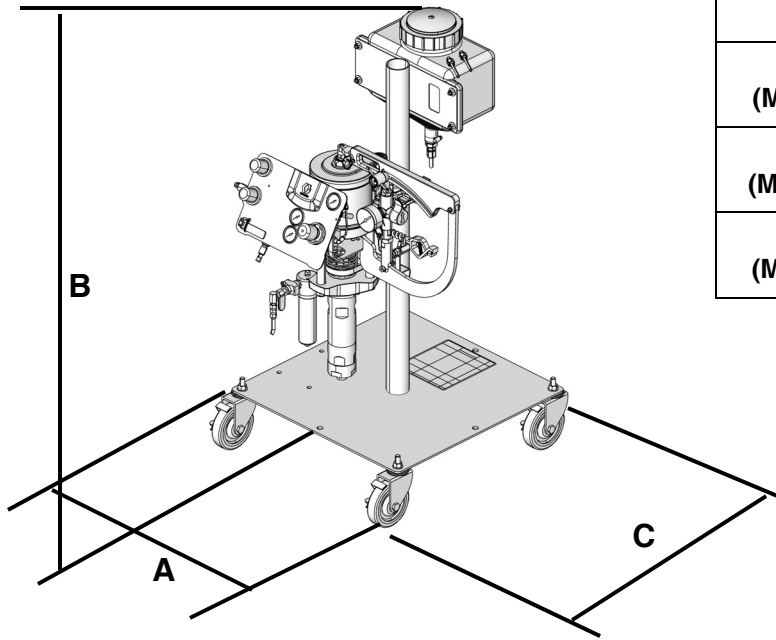


Ref.	A (Max Width)	B (Max Height)	C (Max Depth)	E (Radius)	F (Radius)
<b>Description</b>	144 in. (3658 mm)	100 in. (2540 mm)	192 in. (4877 mm)	144 in. (3658 mm)	72 in. (1828 mm)

\* Rotate unit to fits cart and boom system through a 3 ft 6 in. wide door, with a 9 in. jamb width.

\*\* Height with boom installed. Height of unit without the boom is 83 in. (2108 mm).

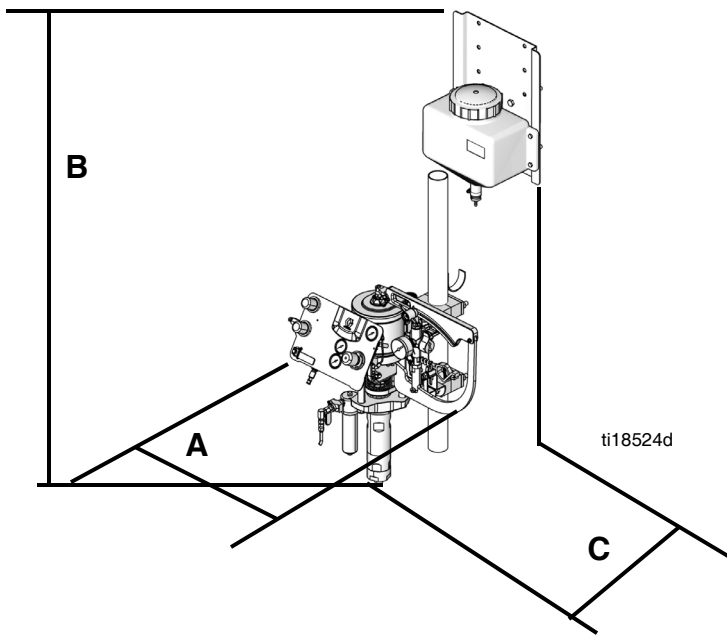
## Cart Only



Ref.	Cart Only
<b>A (Max Width)</b>	29.5 in. (749 mm)
<b>B (Max Height)</b>	47.75 in. (1213 mm)
<b>C (Max Depth)</b>	32.5 in. (826 mm)

ti18496b

## Wall/Pole Mount



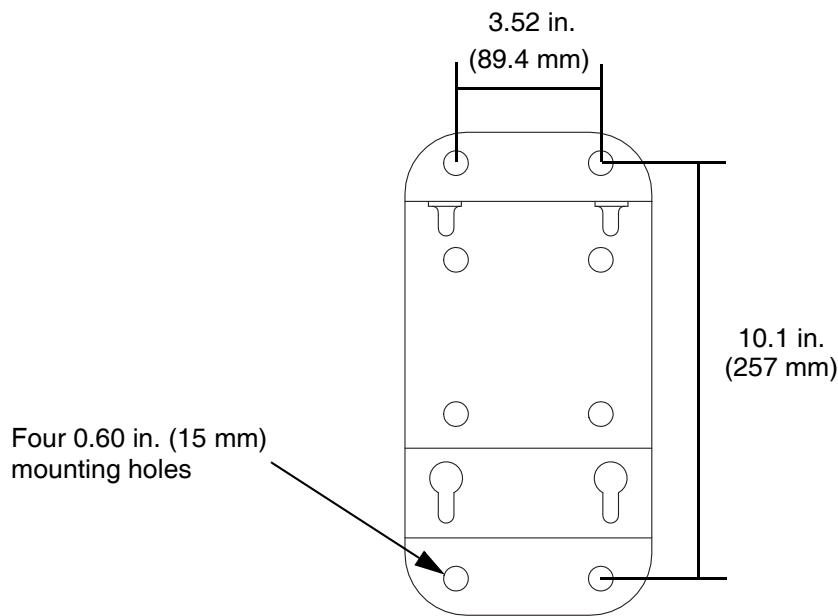
ti18524d

Ref.	Wall/Pole Mount
<b>A (Max Width)</b>	39.0 in. (991 mm)
<b>B (Max Height)</b>	46.6 in. (1183 mm)
<b>C (Max Depth)</b>	32 in. (813 mm)



## Pumpline Wall Mounting Bracket Dimensions

The pumpline bolts directly to this mounting plate.



## Technical Data

### System Technical Data

Maximum fluid working pressure . . . . .	9:1 Systems: 900 psi (6.2 MPa, 62 bar) 13:1 Systems: 1300 psi (9 MPa, 90 bar) 17:1 Systems: 1700 psi (11.9 MPa, 119 bar)
Maximum air inlet pressure . . . . .	100 psi (0.7 MPa, 7.0 bar)
Maximum air inlet pressure to ASME solvent pressure pots . . .	100 psi (0.7 MPa, 7.0 bar)
Typical flow rate of pattern guns . . . . .	Refer to RS Gun manual. See <b>Related Manuals</b> , page 3.
Maximum fluid temperature (Models with RS Gun) . . . . .	100°F (38°C)*
Maximum fluid temperature (Models without RS Gun) . . . . .	160°F (71°C)*
A component (catalyst) inlet size . . . . .	3/8 in. tube
B component (resin) inlet size . . . . .	1 5/16-12 UN-2A male
Wetted parts . . . . .	Stainless steel, carbide, UHMWPE, PTFE, and acetal.
Resin wetted parts . . . . .	See <b>Pumpline Technical Data</b> , page 86
Catalyst wetted parts . . . . .	See <b>Catalyst Pump Technical Data</b> , page 86

\* Maximum fluid temperature rating determined by lowest rated component in system.

## Pumpline Technical Data

Maximum fluid working pressure	<i>9:1 Systems: 900 psi (6.2 MPa, 62 bar)</i> <i>13:1 Systems: 1300 psi (9 MPa, 90 bar)</i> <i>17:1 Systems: 1700 psi (11.9 MPa, 119 bar)</i>
Maximum air inlet pressure	100 psi (0.7 MPa, 7.0 bar)
Minimum air inlet pressure	10 psi (0.07 MPa, 0.7 bar)
Maximum ambient air temperature	120°F (49°C)
Maximum cycle rate	70 cpm
Air consumption	See Technical Data in air motor manual 3A2315.
Fluid output	<i>9:1 Systems: 1.8 gpm (free flow at 70 cpm)</i> <i>13:1 Systems: 1.5 gpm (free flow at 70 cpm)</i> <i>17:1 Systems: 1.1 gpm (free flow at 70 cpm)</i>
Maximum fluid temperature	160°F (71°C) <b>NOTE:</b> System rating is lower than this due to other, lower-rated components.
Stroke length	2.0 in. (51 mm)
Sound data	See Technical Data in air motor manual 3A2315.
Wetted parts	Stainless steel, tungsten carbide with 6% nickel, UHMWPE, PTFE, <i>LW100C displacement pump only:</i> Also includes carbon steel

## Catalyst Pump Technical Data

Maximum fluid working pressure	
Internal catalyst pump version	2000 psi (14.0 MPa, 140 bar)
External catalyst pump version	90 psi (0.63 MPa, 6.3 bar)
Weight	3.5 lb (1.6 kg)
Wetted parts**	301, 303, 304, 316, and 17-4 PH grades of stainless steel, silicon nitride, acetal, perfluoroelastomer, PE, PTFE, UHMWPE, polypropylene

\*\* *Series A and B systems (built prior to April 2013) have non-metallic nylon catalyst tube fittings. To convert your system to stainless steel fittings, see the FRP Proportioner manual 332451.*

## Whip Hose Technical Data

Hose bundles maximum fluid working pressure and wetted materials	
Catalyst hose	3000 psi (21.0 MPa, 210 bar); PTFE
1/2 in. resin hose	4000 psi (28.0 MPa, 280 bar); nylon
3/8 in. resin hose	3300 psi (23.1 MPa, 231 bar); nylon
Solvent/AAC air hose	225 psi (1.6 MPa, 16 bar); nylon
3/8 in. OD air hose	125 psi (0.9 MPa, 9 bar); PET
1/4 in. OD atomizing/AAC air hose	125 psi (0.9 MPa, 9 bar); PET
1/2 in. OD air hose	250 psi (1.7 MPa, 17 bar); PET

## Resin Pump, Catalyst Pump, Solvent Pump, and Heater Technical Data

See component manuals listed on page 3 for technical data.



# Graco Standard Warranty

Graco warrants all equipment referenced in this document which is manufactured by Graco and bearing its name to be free from defects in material and workmanship on the date of sale to the original purchaser for use. With the exception of any special, extended, or limited warranty published by Graco, Graco will, for a period of twelve months from the date of sale, repair or replace any part of the equipment determined by Graco to be defective. This warranty applies only when the equipment is installed, operated and maintained in accordance with Graco's written recommendations.

This warranty does not cover, and Graco shall not be liable for general wear and tear, or any malfunction, damage or wear caused by faulty installation, misapplication, abrasion, corrosion, inadequate or improper maintenance, negligence, accident, tampering, or substitution of non-Graco component parts. Nor shall Graco be liable for malfunction, damage or wear caused by the incompatibility of Graco equipment with structures, accessories, equipment or materials not supplied by Graco, or the improper design, manufacture, installation, operation or maintenance of structures, accessories, equipment or materials not supplied by Graco.

This warranty is conditioned upon the prepaid return of the equipment claimed to be defective to an authorized Graco distributor for verification of the claimed defect. If the claimed defect is verified, Graco will repair or replace free of charge any defective parts. The equipment will be returned to the original purchaser transportation prepaid. If inspection of the equipment does not disclose any defect in material or workmanship, repairs will be made at a reasonable charge, which charges may include the costs of parts, labor, and transportation.

**THIS WARRANTY IS EXCLUSIVE, AND IS IN LIEU OF ANY OTHER WARRANTIES, EXPRESS OR IMPLIED, INCLUDING BUT NOT LIMITED TO WARRANTY OF MERCHANTABILITY OR WARRANTY OF FITNESS FOR A PARTICULAR PURPOSE.**

Graco's sole obligation and buyer's sole remedy for any breach of warranty shall be as set forth above. The buyer agrees that no other remedy (including, but not limited to, incidental or consequential damages for lost profits, lost sales, injury to person or property, or any other incidental or consequential loss) shall be available. Any action for breach of warranty must be brought within two (2) years of the date of sale.

**GRACO MAKES NO WARRANTY, AND DISCLAIMS ALL IMPLIED WARRANTIES OF MERCHANTABILITY AND FITNESS FOR A PARTICULAR PURPOSE, IN CONNECTION WITH ACCESSORIES, EQUIPMENT, MATERIALS OR COMPONENTS SOLD BUT NOT MANUFACTURED BY GRACO.** These items sold, but not manufactured by Graco (such as electric motors, switches, hose, etc.), are subject to the warranty, if any, of their manufacturer. Graco will provide purchaser with reasonable assistance in making any claim for breach of these warranties.

In no event will Graco be liable for indirect, incidental, special or consequential damages resulting from Graco supplying equipment hereunder, or the furnishing, performance, or use of any products or other goods sold hereto, whether due to a breach of contract, breach of warranty, the negligence of Graco, or otherwise.

## **FOR GRACO CANADA CUSTOMERS**

The Parties acknowledge that they have required that the present document, as well as all documents, notices and legal proceedings entered into, given or instituted pursuant hereto or relating directly or indirectly hereto, be drawn up in English. Les parties reconnaissent avoir convenu que la rédaction du présente document sera en Anglais, ainsi que tous documents, avis et procédures judiciaires exécutés, donnés ou intentés, à la suite de ou en rapport, directement ou indirectement, avec les procédures concernées.

# Graco Information

## Sealant and Adhesive Dispensing Equipment

For the latest information about Graco products, visit [www.graco.com](http://www.graco.com).

For patent information, see [www.graco.com/patents](http://www.graco.com/patents).

**TO PLACE AN ORDER, contact your Graco distributor, go to [www.graco.com](http://www.graco.com) and select "Where to Buy" in the top blue bar, or call to find the nearest distributor.**

***If calling from the US: 800-746-1334***

***If calling from outside the US: 0-1-330-966-3000***

*All written and visual data contained in this document reflects the latest product information available at the time of publication. Graco reserves the right to make changes at any time without notice.*

Original instructions. This manual contains English. MM 3A2012

**Graco Headquarters:** Minneapolis  
**International Offices:** Belgium, China, Japan, Korea

**GRACO INC. AND SUBSIDIARIES • P.O. BOX 1441 • MINNEAPOLIS MN 55440-1441 • USA**

**Copyright 2012, Graco Inc. All Graco manufacturing locations are registered to ISO 9001.**

[www.graco.com](http://www.graco.com)

Revision N, September 2017